

# SCHALLDÄMMKASTEN

## SOUND ABSORBING CASE



△ Das Schalldämmgehäuse besteht aus einer Aluminium-Rahmenkonstruktion und einer Isolierung aus 30 mm starker, nicht brennbarer Mineralwolle. Die Gehäusewände sind doppelwandig Stahl verzinkt mit einer Gesamtdämpfung von ca. 30 dB(A) aufgebaut. Die Revisionsstüren sind mittels außen aufliegender Dreh-Knebelverschlüsse leicht zu öffnen. Die Abdichtung der Revisionsstüren erfolgt durch eine leicht auswechselbare Gummilippendichtung aus EPDM.

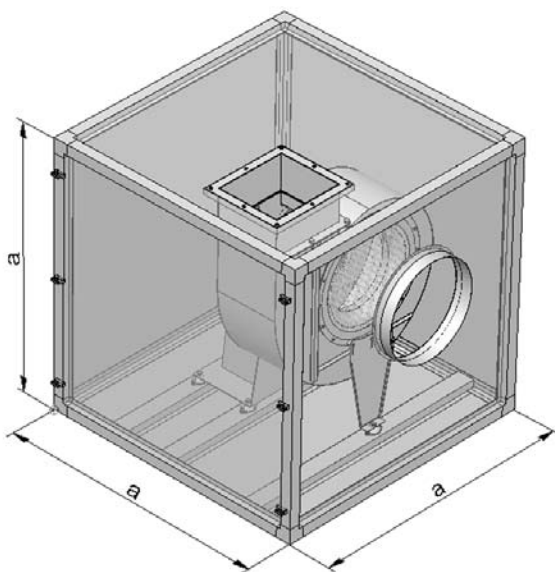
Bei Bestellung ist vom Kunden unbedingt anzugeben:

- . Position der Ansaugseite
- . Position der Ausblasseite
- . Position der Revisionsöffnung(en)

△ The sound absorbing case consists of an aluminium frame and an insulation made of 30 mm, non-flammable mineral wool. The case walls are double-walled galvanised steel with a total absorbability of approx. 30 dB(A). The inspection doors are easy to open using external rotary locking latches. The inspection doors are sealed with an easily replaceable rubber lip seal made of EPDM.

When ordering, the customer must state without fail:

- . Position of the suction side
- . Position of the exhaust side
- . Position of the inspection opening(s)



**ACHTUNG!** Bei Sonderausführungen kann sich das Maß ändern.

**ATTENTION!** The dimension can change for special designs.

| Ventilator-type<br>Type of fan | Maß a (mm)<br>Dimension a (mm) |
|--------------------------------|--------------------------------|
| 9-30                           | 650                            |
| 9-43                           | 650                            |
| 10-45                          | 750                            |
| 10-65                          | 750                            |
| 11-80                          | 850                            |
| 11-120                         | 850                            |
| 12-92                          | 850                            |
| 13-120                         | 1050                           |
| 13-150                         | 1050                           |
| 14-200                         | 1250                           |
| 14-215                         | 1250                           |
| 15-250                         | 1250                           |
| 15-300                         | 1250                           |
| 345-1-12                       | 750                            |
| 345-1-18                       | 750                            |
| 355-1-25                       | 750                            |
| 315-5-60                       | 750                            |
| 375-1-35                       | 750                            |
| 410-1-30                       | 750                            |
| 400-7-60                       | 750                            |
| 400-6-67                       | 750                            |
| 450-1-25                       | 850                            |
| 450-7-53                       | 1050                           |
| 500-7-45                       | 1050                           |
| 500-7-60                       | 1050                           |
| 500-6-85                       | 1050                           |
| 560-7-85                       | 1250                           |
| 630-8-36                       | 1250                           |
| 630-1-50                       | 1250                           |

# ROHRSCHALLDÄMPFER

## PIPE SOUND ABSORBER



△ Der Außenmantel und das gelochte Innenrohr besteht aus verzinktem Stahlblech; Packungsdicke 100 mm. Das nach DIN 4102 A2 nicht brennbare Absorptionsmaterial ist mit Glasvlies gegen Abrieb durch strömende Luft geschützt. Die ein- und ausgangsseitigen Anschlüsse sind mit Steckstutzen ausgeführt.

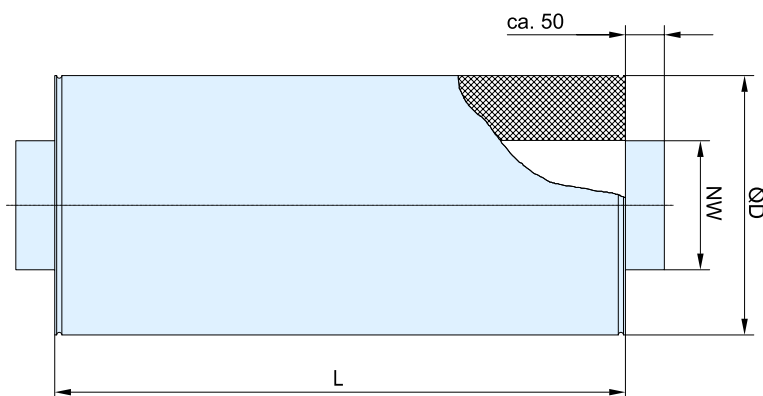
△ The outer cladding and the perforated inner tube are made up of galvanized sheet steel with a packing density of 100 mm. The absorption material which is non-combustible according to DIN 4102 A2 is protected against abrasion from flowing air by a glass mat. The inlet and outlet connections are provided with plug nozzles.

Abmessungen und Gewicht / Dimensions and weights

| Volumenstrom<br>in m <sup>3</sup> /h<br>Flow rate<br>in m <sup>3</sup> /h | Nennweite<br>in mm<br>Diameter nominal<br>in mm | Type<br>Type    | Länge<br>in mm<br>Length<br>in mm | ød<br>in mm<br>ød<br>in mm | Einfügungsdämpfung<br>dB/250 Hz<br>Insertion loss<br>dB/250 Hz | Gewicht<br>kg<br>Weight<br>kg |
|---|---|-----------------|-----------------------------------|----------------------------|--|-------------------------------|
| 370   | 100   | RS 100-500/3,7  | 500                               | 99                         | 15   | 9                             |
|   | 100   | RS 100-1000/3,7 | 1000                              | 99                         | 31   | 15                            |
| 570   | 125   | RS 125-500/5,7  | 500                               | 124                        | 14   | 10                            |
|   | 125   | RS 125-1000/5,7 | 1000                              | 124                        | 29   | 16                            |
| 940   | 160   | RS 160-500/9,4  | 500                               | 159                        | 13   | 10                            |
|   | 160   | RS 160-1000/9,4 | 1000                              | 159                        | 26   | 19                            |
| 1.500   | 200   | RS 200-500/15   | 500                               | 199                        | 12   | 11                            |
|   | 200   | RS 200-1000/15  | 1000                              | 199                        | 25   | 20                            |
| 2.300   | 250   | RS 250-500/23   | 500                               | 249                        | 11   | 13                            |
|   | 250   | RS 250-1000/23  | 1000                              | 249                        | 23   | 23                            |
|   | 250   | RS 250-1500/23  | 1500                              | 249                        | 32   | 34                            |
| 3.700   | 315   | RS 315-500/37   | 500                               | 314                        | 10   | 20                            |
|   | 315   | RS 315-1000/37  | 1000                              | 314                        | 20   | 37                            |
|   | 315   | RS 315-1500/37  | 1500                              | 314                        | 29   | 53                            |
| 5.900   | 400   | RS 400-500/59   | 500                               | 399                        | 9  | 24                            |
|   | 400   | RS 400-1000/59  | 1000                              | 399                        | 18   | 43                            |
|   | 400   | RS 400-1500/59  | 1500                              | 399                        | 26   | 61                            |
| 7.500   | 450   | RS 450-1500/75  | 1500                              | 448                        | 23   | 67                            |
| 9.200   | 500   | RS 500-1500/92  | 1500                              | 498                        | 21   | 72                            |
| 11.500  | 560   | RS 560-1500/115 | 1500                              | 558                        | 18   | 78                            |

Ausführung mit Steckstutzen, Packungsdicke 100 mm:  $\varnothing D = \varnothing d + 200$  mm

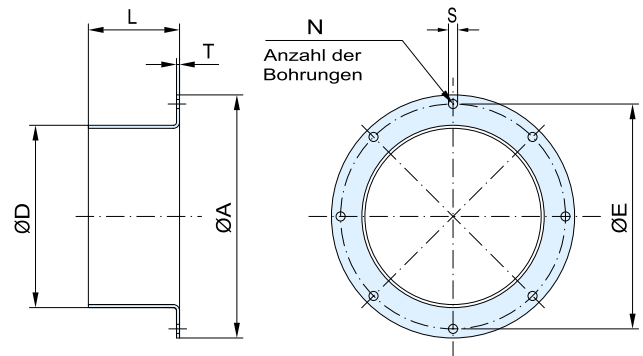
Construction with plug nozzle, packing density 100mm: Outer diameter =  $\varnothing d + 200$  mm





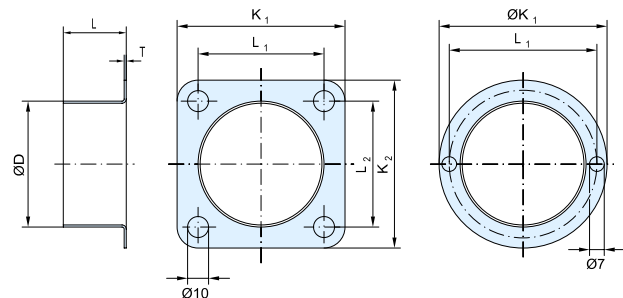
**Ansaugstutzen / intake connection**

| Ventilator Fan | D   | L  | A   | E   | S   | N | T |
|----------------|-----|----|-----|-----|-----|---|---|
| <b>1-0,65</b>  | 50  | 30 | 90  | 84  | 3,3 | 3 | 1 |
|                | 60  | 30 | 90  | 84  | 3,6 | 3 | 1 |
| <b>1-0,8</b>   | 50  | 30 | 90  | 84  | 3,3 | 3 | 1 |
|                | 60  | 30 | 90  | 84  | 3,6 | 3 | 1 |
| <b>1-1,2</b>   | 50  | 30 | 90  | 84  | 3,3 | 3 | 1 |
|                | 60  | 30 | 90  | 84  | 3,6 | 3 | 1 |
| <b>1-1,6</b>   | 60  | 40 | 102 | 95  | 3,3 | 4 | 1 |
|                | 80  | 40 | 102 | 95  | 3,6 | 4 | 1 |
| <b>1-2,6</b>   | 60  | 40 | 102 | 95  | 3,3 | 4 | 1 |
|                | 80  | 40 | 102 | 95  | 3,6 | 4 | 1 |
| <b>2-2,8</b>   | 80  | 40 | 123 | 116 | 3,3 | 3 | 1 |
|                | 102 | 40 | 123 | 116 | 3,6 | 3 | 1 |



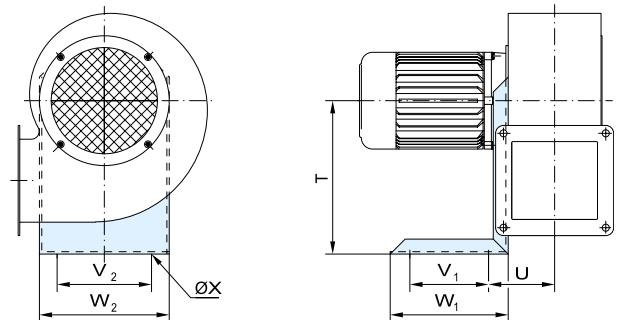
**Ausblasstutzen / exhaust connection**

| Ventilator Fan | D  | L  | K <sub>1</sub> | K <sub>2</sub> | L <sub>1</sub> | L <sub>2</sub> | S   | T |
|----------------|----|----|----------------|----------------|----------------|----------------|-----|---|
| <b>1-0,65</b>  | 40 | 30 | Ø 70           |                | Ø 55           |                | 5,8 | 1 |
|                |    |    |                |                |                |                |     | 1 |
| <b>1-0,8</b>   | 40 | 30 | Ø 75           |                | Ø 60           |                | 5,8 | 1 |
|                | 50 | 30 | Ø 75           |                | Ø 60           |                | 5,8 | 1 |
| <b>1-1,2</b>   | 40 | 40 | Ø 83           |                | Ø 70           |                | 5,8 | 1 |
|                | 50 | 40 | Ø 83           |                | Ø 70           |                | 5,8 | 1 |
| <b>1-1,6</b>   | 60 | 40 | 85             | 85             | 70             | 70             | 5,8 | 1 |
|                | 80 | 40 | 85             | 85             | 70             | 70             | 5,8 | 1 |
| <b>1-2,6</b>   | 60 | 40 | 85             | 85             | 70             | 70             | 5,8 | 1 |
|                | 80 | 40 | 85             | 85             | 70             | 70             | 5,8 | 1 |
| <b>2-2,8</b>   | 60 | 40 | 85             | 85             | 70             | 70             | 5,8 | 1 |
|                | 80 | 40 | 85             | 85             | 70             | 70             | 5,8 | 1 |



**Ventilatorfuß / foot-mounting**

| Ventilator Fan | W <sub>1</sub> | W <sub>2</sub> | V <sub>1</sub> | V <sub>2</sub> | U  | X   | T   |
|----------------|----------------|----------------|----------------|----------------|----|-----|-----|
| <b>1-0,65</b>  |                |                |                |                |    |     |     |
| <b>1-0,8</b>   |                |                |                |                |    |     |     |
| <b>1-1,2</b>   | 75             | 60             | 55             | 35             | 40 | 6,5 | 85  |
| <b>1-1,6</b>   | 75             | 60             | 55             | 35             | 40 | 6,5 | 95  |
| <b>1-2,6</b>   | 75             | 60             | 55             | 35             | 40 | 6,5 | 95  |
| <b>2-2,8</b>   | 75             | 60             | 55             | 35             | 40 | 6,5 | 106 |

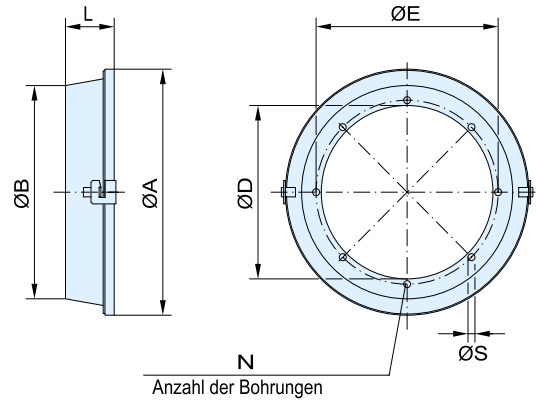




**Ansaugflachfilter / intakefilter-flag**

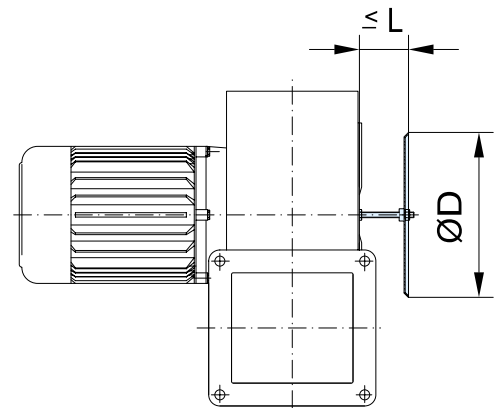
Die Filterklasse ist standardmäßig in EU3 nach DIN EU 779 ausgeführt.  
 The filter quality of EU3 (DIN EU 779) is standard.

| Ventilator<br>Fan | A   | B   | L  | D   | E   | S   | N |
|-------------------|-----|-----|----|-----|-----|-----|---|
| <b>1-0,65</b>     |     |     |    |     |     |     |   |
| <b>1-0,8</b>      |     |     |    |     |     |     |   |
| <b>1-1,2</b>      | 90  | 72  | 10 | 75  | 84  | 3,6 | 3 |
| <b>1-1,6</b>      | 121 | 103 | 40 | 86  | 95  | 3,6 | 4 |
| <b>1-2,6</b>      | 121 | 103 | 40 | 86  | 95  | 3,6 | 4 |
| <b>2-2,8</b>      | 147 | 127 | 49 | 107 | 116 | 3,6 | 3 |



**Ansaugdrossel / intake throttle**

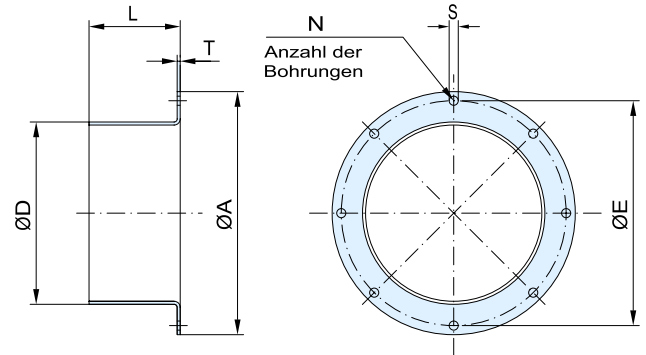
| Ventilator<br>Fan | D   | L  |
|-------------------|-----|----|
| <b>1-0,65</b>     | 81  | 20 |
| <b>1-0,8</b>      | 81  | 20 |
| <b>1-1,2</b>      | 81  | 20 |
| <b>1-1,6</b>      | 81  | 20 |
| <b>1-2,6</b>      | 81  | 20 |
| <b>2-2,8</b>      | 109 | 21 |





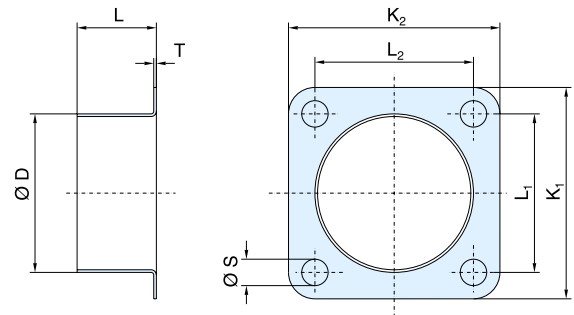
**Ansaugstutzen / intake connection**

| Ventilator Fan | D   | L  | A   | E   | S   | N | T |
|----------------|-----|----|-----|-----|-----|---|---|
| <b>3-4 A</b>   | 100 | 40 | 152 | 144 | 4,8 | 4 | 1 |
|                | 125 | 40 | 152 | 144 | 4,8 | 4 | 1 |
| <b>4-6 A</b>   | 125 | 40 | 165 | 157 | 5,8 | 4 | 1 |
|                | 140 | 40 | 165 | 157 | 5,8 | 4 | 1 |
| <b>5-10 A</b>  | 140 | 40 | 186 | 175 | 5,8 | 4 | 1 |
|                | 160 | 40 | 186 | 175 | 5,8 | 4 | 1 |



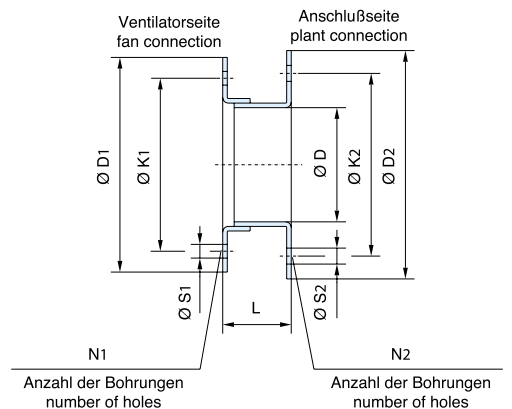
**Ausblasstutzen / exhaust connection**

| Ventilator Fan | D   | L  | K <sub>1</sub> | K <sub>2</sub> | L <sub>1</sub> | L <sub>2</sub> | S | T |
|----------------|-----|----|----------------|----------------|----------------|----------------|---|---|
| <b>3-4 A</b>   | 90  | 40 | 98             | 112            | 80             | 95             | 7 | 1 |
|                | 100 | 40 | 98             | 112            | 80             | 95             | 7 | 1 |
| <b>4-6 A</b>   | 100 | 40 | 130            | 140            | 110            | 120            | 9 | 1 |
|                | 125 | 40 | 130            | 140            | 110            | 120            | 9 | 1 |
| <b>5-10 A</b>  | 100 | 40 | 130            | 140            | 110            | 120            | 9 | 1 |
|                | 125 | 40 | 130            | 140            | 110            | 120            | 9 | 1 |



**Ansaugzwischenflansch / connecting flange**

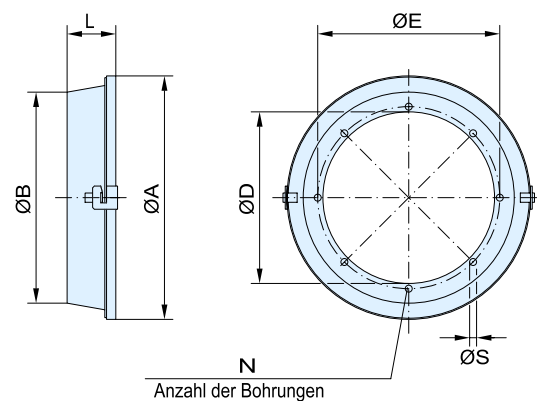
| Ventilator Fan | D <sub>1</sub> | K <sub>1</sub> | S <sub>1</sub> | N <sub>1</sub> | D <sub>2</sub> | K <sub>2</sub> | S <sub>2</sub> | N <sub>2</sub> | D   | L  |
|----------------|----------------|----------------|----------------|----------------|----------------|----------------|----------------|----------------|-----|----|
| <b>3-4 A</b>   | 152            | 144            | 4,8            | 4              | 135            | 124            | 5,8            | 4              | 100 | 30 |
| <b>4-6 A</b>   | 168            | 157            | 5,8            | 4              | 160            | 144            | 7              | 8              | 123 | 40 |
| <b>5-10 A</b>  | 186            | 175            | 5,8            | 4              | 200            | 175            | 9              | 8              | 144 | 50 |



**Ansaugflachfilter / intakefilter-flag**

Die Filterklasse ist standardmäßig in EU3 nach DIN EU 779 ausgeführt.  
 The filter quality of EU3 (DIN EU 779) is standard.

| Ventilator Fan | A   | B   | L  | D   | E   | S   | N |
|----------------|-----|-----|----|-----|-----|-----|---|
| <b>3-4 A</b>   | 187 | 159 | 38 | 135 | 144 | 4,8 | 4 |
| <b>4-6 A</b>   | 210 | 182 | 42 | 148 | 157 | 5,8 | 4 |
| <b>5-10 A</b>  | 237 | 205 | 54 | 165 | 175 | 5,8 | 4 |

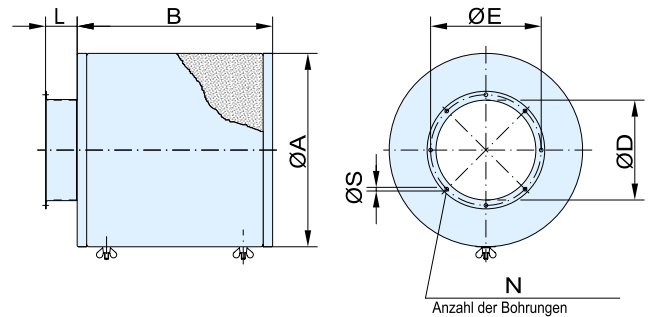




**Ansauggrundfilter / intakefilter-round**

Die Filterklasse ist standardmäßig in EU4 nach DIN EU 779 ausgeführt.  
 The filter quality of EU4 (DIN EU 779) is standard.

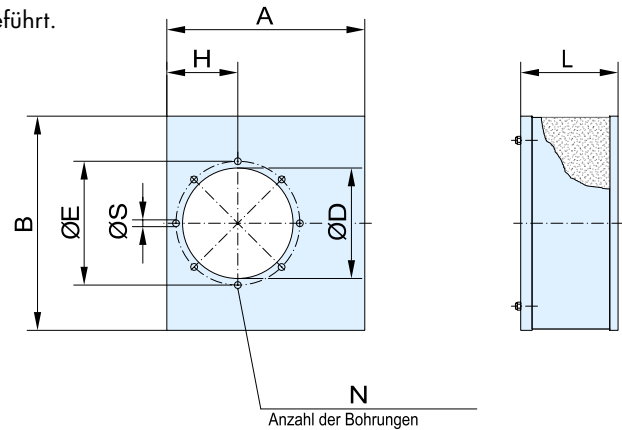
| Ventilator Fan | A   | B   | L  | D   | E   | S   | N |
|----------------|-----|-----|----|-----|-----|-----|---|
| <b>3-4 A</b>   | 205 | 237 | 25 | 120 | 144 | 4,8 | 4 |
| <b>4-6 A</b>   | 252 | 297 | 25 | 135 | 157 | 5,8 | 4 |
| <b>5-10 A</b>  | 306 | 237 | 25 | 135 | 175 | 5,8 | 4 |



**Ansaugkastenfilter / intake filterbox**

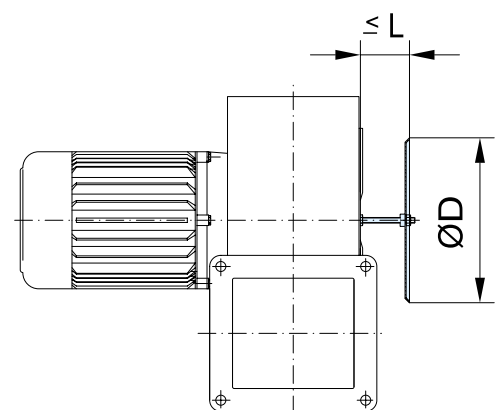
Die Filterklasse ist standardmäßig in EU4 nach DIN EU 779 ausgeführt.  
 The filter quality of EU4 (DIN EU 779) is standard.

| Ventilator Fan | A   | B   | L  | H  | D   | E   | S   | N |
|----------------|-----|-----|----|----|-----|-----|-----|---|
| <b>3-4 A</b>   |     |     |    |    |     |     |     |   |
| <b>4-6 A</b>   | 292 | 326 | 99 | 87 | 148 | 157 | 5,8 | 4 |
| <b>5-10 A</b>  | 222 | 270 | 87 | 92 | 163 | 175 | 5,8 | 4 |



**Ansaugdrossel / intake throttle**

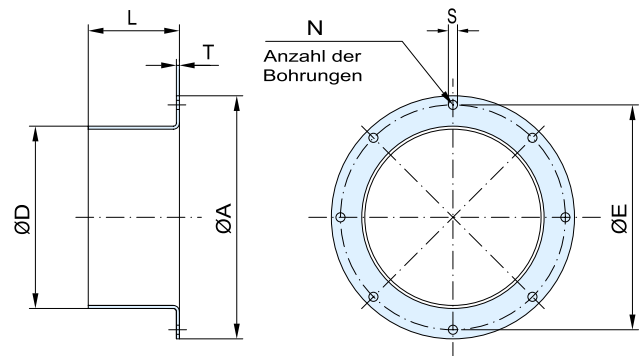
| Ventilator Fan | D   | L  |
|----------------|-----|----|
| <b>3-4 A</b>   | 120 | 40 |
| <b>4-6 A</b>   | 148 | 40 |
| <b>5-10 A</b>  | 165 | 40 |



**Ansaugstutzen / intake connection**

| Ventilator Fan | D   | L  | A   | E   | S   | N | T |
|----------------|-----|----|-----|-----|-----|---|---|
| <b>1-1,5</b>   | 60  | 40 | 102 | 95  | 3,6 | 4 | 1 |
|                | 80  | 40 | 102 | 95  | 3,6 | 4 | 1 |
| <b>2-2,5</b>   | 80  | 40 | 123 | 116 | 3,6 | 4 | 1 |
|                | 102 | 40 | 123 | 116 | 3,6 | 4 | 1 |
| <b>2-4,8</b>   | 80  | 40 | 123 | 116 | 3,6 | 4 | 1 |
|                | 102 | 40 | 123 | 116 | 3,6 | 4 | 1 |
| <b>3-2</b>     | 100 | 40 | 152 | 144 | 4,8 | 4 | 1 |
|                | 125 | 40 | 152 | 144 | 4,8 | 4 | 1 |
| <b>3-3,5</b>   | 100 | 40 | 152 | 144 | 4,8 | 4 | 1 |
|                | 125 | 40 | 152 | 144 | 4,8 | 4 | 1 |
| <b>3-4,5</b>   | 100 | 40 | 152 | 144 | 4,8 | 4 | 1 |
|                | 125 | 40 | 152 | 144 | 4,8 | 4 | 1 |
| <b>3-6</b>     | 100 | 40 | 152 | 144 | 4,8 | 4 | 1 |
|                | 125 | 40 | 152 | 144 | 4,8 | 4 | 1 |
| <b>3-3</b>     | 100 | 40 | 152 | 144 | 4,8 | 4 | 1 |
|                | 125 | 40 | 152 | 144 | 4,8 | 4 | 1 |
| <b>3-10D</b>   | 100 | 40 | 152 | 144 | 4,8 | 4 | 1 |
|                | 125 | 40 | 152 | 144 | 4,8 | 4 | 1 |
| <b>3-9,8</b>   | 100 | 40 | 152 | 144 | 4,8 | 4 | 1 |
|                | 125 | 40 | 152 | 144 | 4,8 | 4 | 1 |
| <b>3-4,9</b>   | 100 | 40 | 152 | 144 | 4,8 | 4 | 1 |
|                | 125 | 40 | 152 | 144 | 4,8 | 4 | 1 |
| <b>3-12D</b>   | 100 | 40 | 152 | 144 | 4,8 | 4 | 1 |
|                | 125 | 40 | 152 | 144 | 4,8 | 4 | 1 |
| <b>4-14</b>    | 100 | 40 | 152 | 144 | 4,8 | 4 | 1 |
|                | 125 | 40 | 152 | 144 | 4,8 | 4 | 1 |
| <b>4-7</b>     | 100 | 40 | 152 | 144 | 4,8 | 4 | 1 |
|                | 125 | 40 | 152 | 144 | 4,8 | 4 | 1 |
| <b>4-28D</b>   | 100 | 40 | 152 | 144 | 4,8 | 4 | 1 |
|                | 125 | 40 | 152 | 144 | 4,8 | 4 | 1 |
| <b>5-12,5</b>  | 140 | 40 | 186 | 175 | 5,8 | 4 | 1 |
|                | 160 | 40 | 186 | 175 | 5,8 | 4 | 1 |
| <b>5-16</b>    | 125 | 40 | 165 | 157 | 5,8 | 4 | 1 |
|                | 140 | 40 | 165 | 157 | 5,8 | 4 | 1 |
| <b>5-19</b>    | 125 | 40 | 165 | 157 | 5,8 | 4 | 1 |
|                | 140 | 40 | 165 | 157 | 5,8 | 4 | 1 |
| <b>5-9,2</b>   | 125 | 40 | 165 | 157 | 5,8 | 4 | 1 |
|                | 140 | 40 | 165 | 157 | 5,8 | 4 | 1 |
| <b>5-38D</b>   | 125 | 40 | 165 | 157 | 5,8 | 4 | 1 |
|                | 140 | 40 | 165 | 157 | 5,8 | 4 | 1 |
| <b>6-22,5</b>  | 140 | 40 | 186 | 175 | 5,8 | 4 | 1 |
|                | 160 | 40 | 186 | 175 | 5,8 | 4 | 1 |
| <b>6-13,5</b>  | 140 | 40 | 186 | 175 | 5,8 | 4 | 1 |
|                | 160 | 40 | 186 | 175 | 5,8 | 4 | 1 |
| <b>6-45D</b>   | 140 | 40 | 186 | 175 | 5,8 | 4 | 1 |
|                | 160 | 40 | 186 | 175 | 5,8 | 4 | 1 |

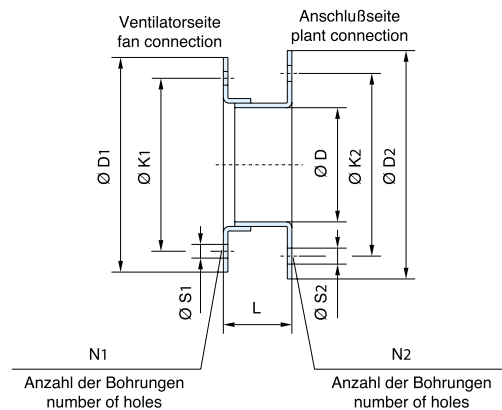
| Ventilator Fan | D   | L  | A   | E   | S   | N | T   |
|----------------|-----|----|-----|-----|-----|---|-----|
| <b>6-25</b>    | 140 | 40 | 208 | 196 | 5,8 | 8 | 1   |
|                | 160 | 40 | 208 | 196 | 5,8 | 8 | 1   |
| <b>6-50D</b>   | 140 | 40 | 208 | 196 | 5,8 | 8 | 1   |
|                | 160 | 40 | 208 | 196 | 5,8 | 8 | 1   |
| <b>6-28</b>    | 140 | 40 | 186 | 175 | 5,8 | 4 | 1   |
|                | 160 | 40 | 186 | 175 | 5,8 | 4 | 1   |
| <b>6-35</b>    | 140 | 40 | 186 | 175 | 5,8 | 4 | 1   |
|                | 160 | 40 | 186 | 175 | 5,8 | 4 | 1   |
| <b>6-18</b>    | 140 | 40 | 186 | 175 | 5,8 | 4 | 1   |
|                | 160 | 40 | 186 | 175 | 5,8 | 4 | 1   |
| <b>6-40</b>    | 140 | 40 | 208 | 196 | 5,8 | 8 | 1   |
|                | 160 | 40 | 208 | 196 | 5,8 | 8 | 1   |
| <b>7-52</b>    | 140 | 40 | 208 | 196 | 5,8 | 8 | 1   |
|                | 160 | 40 | 208 | 196 | 5,8 | 8 | 1   |
| <b>7-26</b>    | 140 | 40 | 208 | 196 | 5,8 | 8 | 1   |
|                | 160 | 40 | 208 | 196 | 5,8 | 8 | 1   |
| <b>7-60</b>    | 160 | 40 | 222 | 212 | 5,8 | 8 | 1   |
|                | 180 | 40 | 222 | 212 | 5,8 | 8 | 1   |
| <b>8-7,5</b>   | 160 | 40 | 222 | 212 | 5,8 | 8 | 1   |
|                | 180 | 40 | 222 | 212 | 5,8 | 8 | 1   |
| <b>8-12</b>    | 160 | 40 | 222 | 212 | 5,8 | 8 | 1   |
|                | 180 | 40 | 222 | 212 | 5,8 | 8 | 1   |
| <b>8-70</b>    | 160 | 40 | 222 | 212 | 5,8 | 8 | 1   |
|                | 180 | 40 | 222 | 212 | 5,8 | 8 | 1   |
| <b>8-80</b>    | 200 | 40 | 244 | 232 | 5,8 | 8 | 1   |
|                | 180 | 40 | 244 | 232 | 5,8 | 8 | 1   |
| <b>9-80</b>    | 200 | 40 | 290 | 276 | 7   | 8 | 1,5 |
|                | 180 | 40 | 290 | 276 | 7   | 8 | 1,5 |
| <b>9-90</b>    | 200 | 40 | 290 | 276 | 7   | 8 | 1,5 |
|                | 180 | 40 | 290 | 276 | 7   | 8 | 1,5 |
| <b>9-97</b>    | 200 | 40 | 290 | 276 | 7   | 8 | 1,5 |
|                | 180 | 40 | 290 | 276 | 7   | 8 | 1,5 |
| <b>10-125</b>  | 315 | 60 | 382 | 350 | 8   | 8 | 1,5 |
|                | 280 | 60 | 382 | 350 | 8   | 8 | 1,5 |





**Ansaugzwischenflansch / connecting flange**

| Ventilator<br>Fan | D <sub>1</sub> | K <sub>1</sub> | S <sub>1</sub> | N <sub>1</sub> | D <sub>2</sub> | K <sub>2</sub> | S <sub>2</sub> | N <sub>2</sub> | D   | L  |
|-------------------|----------------|----------------|----------------|----------------|----------------|----------------|----------------|----------------|-----|----|
| <b>1-1,5</b>      |                |                |                |                |                |                |                |                |     |    |
| <b>2-2,5</b>      | 123            | 116            | 3,6            | 4              | 135            | 124            | 5,8            | 4              | 100 | 30 |
| <b>2-4,8</b>      | 123            | 116            | 3,6            | 4              | 135            | 124            | 5,8            | 4              | 100 | 30 |
| <b>3-2</b>        | 152            | 144            | 4,8            | 4              | 135            | 124            | 5,8            | 4              | 100 | 30 |
| <b>3-3,5</b>      | 152            | 144            | 4,8            | 4              | 135            | 124            | 5,8            | 4              | 100 | 30 |
| <b>3-4,5</b>      | 152            | 144            | 4,8            | 4              | 135            | 124            | 5,8            | 4              | 100 | 30 |
| <b>3-6</b>        | 152            | 144            | 4,8            | 4              | 135            | 124            | 5,8            | 4              | 100 | 30 |
| <b>3-3</b>        | 152            | 144            | 4,8            | 4              | 135            | 124            | 5,8            | 4              | 100 | 30 |
| <b>3-10D</b>      | 152            | 144            | 4,8            | 4              | 135            | 124            | 5,8            | 4              | 100 | 30 |
| <b>3-9,8</b>      | 152            | 144            | 4,8            | 4              | 135            | 124            | 5,8            | 4              | 100 | 30 |
| <b>3-4,9</b>      | 152            | 144            | 4,8            | 4              | 135            | 124            | 5,8            | 4              | 100 | 30 |
| <b>3-12D</b>      | 152            | 144            | 4,8            | 4              | 135            | 124            | 5,8            | 4              | 100 | 30 |
| <b>4-14</b>       | 152            | 144            | 4,8            | 4              | 135            | 124            | 5,8            | 4              | 100 | 30 |
| <b>4-7</b>        | 152            | 144            | 4,8            | 4              | 135            | 124            | 5,8            | 4              | 100 | 30 |
| <b>4-28D</b>      | 152            | 144            | 4,8            | 4              | 135            | 124            | 5,8            | 4              | 100 | 30 |
| <b>5-12,5</b>     | 186            | 175            | 5,8            | 4              | 200            | 175            | 9              | 8              | 144 | 50 |
| <b>5-16</b>       | 168            | 157            | 5,8            | 4              | 160            | 144            | 7              | 8              | 123 | 40 |
| <b>5-19</b>       | 168            | 157            | 5,8            | 4              | 160            | 144            | 7              | 8              | 123 | 40 |
| <b>5-9,2</b>      | 168            | 157            | 5,8            | 4              | 160            | 144            | 7              | 8              | 123 | 40 |
| <b>5-38D</b>      | 168            | 157            | 5,8            | 4              | 160            | 144            | 7              | 8              | 123 | 40 |
| <b>6-22,5</b>     | 186            | 175            | 5,8            | 4              | 200            | 175            | 9              | 8              | 144 | 50 |
| <b>6-13,5</b>     | 186            | 175            | 5,8            | 4              | 200            | 175            | 9              | 8              | 144 | 50 |
| <b>6-45D</b>      | 186            | 175            | 5,8            | 4              | 200            | 175            | 9              | 8              | 144 | 50 |
| <b>6-25</b>       | 208            | 196            | 5,8            | 8              | 220            | 196            | 9              | 8              | 165 | 50 |
| <b>6-50D</b>      | 208            | 196            | 5,8            | 8              | 220            | 196            | 9              | 8              | 165 | 50 |
| <b>6-28</b>       | 186            | 175            | 5,8            | 4              | 200            | 175            | 9              | 8              | 144 | 50 |
| <b>6-35</b>       | 186            | 175            | 5,8            | 4              | 200            | 175            | 9              | 8              | 144 | 50 |
| <b>6-18</b>       | 186            | 175            | 5,8            | 4              | 200            | 175            | 9              | 8              | 144 | 50 |
| <b>6-40</b>       | 208            | 196            | 5,8            | 8              | 220            | 196            | 9              | 8              | 165 | 50 |
| <b>7-52</b>       | 208            | 196            | 5,8            | 8              | 220            | 196            | 9              | 8              | 165 | 50 |
| <b>7-26</b>       | 208            | 196            | 5,8            | 8              | 220            | 196            | 9              | 8              | 165 | 50 |
| <b>7-60</b>       | 222            | 212            | 5,8            | 8              | 235            | 212            | 9              | 8              | 180 | 50 |
| <b>8-7,5</b>      | 222            | 212            | 5,8            | 8              | 235            | 212            | 9              | 8              | 180 | 50 |
| <b>8-12</b>       | 222            | 212            | 5,8            | 8              | 235            | 212            | 9              | 8              | 180 | 50 |
| <b>8-70</b>       | 222            | 212            | 5,8            | 8              | 235            | 212            | 9              | 8              | 180 | 50 |
| <b>8-80</b>       | 244            | 232            | 5,8            | 8              | 230            | 218            | 6              | 8              | 190 | 50 |
| <b>9-80</b>       | 290            | 276            | 7              | 8              | 255            | 235            | 9              | 8              | 190 | 50 |
| <b>9-90</b>       | 290            | 276            | 7              | 8              | 255            | 235            | 9              | 8              | 190 | 50 |
| <b>9-97</b>       | 290            | 276            | 7              | 8              | 290            | 276            | 9              | 8              | 240 | 50 |
| <b>10-125</b>     | 382            | 350            | 7              | 16             | 370            | 350            | 9              | 12             | 264 | 50 |



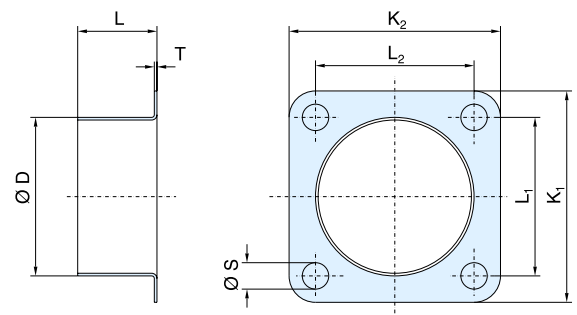




**Ausblasstutzen / exhaust connection**

| Ventilator Fan | D   | L  | K <sub>1</sub> | K <sub>2</sub> | L <sub>1</sub> | L <sub>2</sub> | S   | T |
|----------------|-----|----|----------------|----------------|----------------|----------------|-----|---|
| <b>1-1,5</b>   | 60  | 40 | 85             | 85             | 70             | 70             | 5,8 | 1 |
|                | 80  | 40 | 85             | 85             | 70             | 70             | 5,8 | 1 |
| <b>2-2,5</b>   | 60  | 40 | 85             | 85             | 70             | 70             | 5,8 | 1 |
|                | 80  | 40 | 85             | 85             | 70             | 70             | 5,8 | 1 |
| <b>2-4,8</b>   | 80  | 40 | 90             | 90             | 76             | 76             | 5,8 | 1 |
|                | 90  | 40 | 90             | 90             | 76             | 76             | 5,8 | 1 |
| <b>3-2</b>     | 40  | 32 | 85             | 60             | 60             | 50             | 5,8 | 1 |
|                | 60  | 42 | 85             | 60             | 60             | 50             | 5,8 | 1 |
| <b>3-3,5</b>   | 40  | 32 | 85             | 60             | 60             | 50             | 5,8 | 1 |
|                | 60  | 42 | 85             | 60             | 60             | 50             | 5,8 | 1 |
| <b>3-4,5</b>   | 40  | 40 | 78             | 78             | 64             | 64             | 7   | 1 |
|                | 60  | 40 | 78             | 78             | 64             | 64             | 7   | 1 |
| <b>3-6</b>     | 90  | 40 | 98             | 112            | 80             | 95             | 7   | 1 |
|                | 100 | 40 | 98             | 112            | 80             | 95             | 7   | 1 |
| <b>3-3</b>     | 90  | 40 | 98             | 112            | 80             | 95             | 7   | 1 |
|                | 100 | 40 | 98             | 112            | 80             | 95             | 7   | 1 |
| <b>3-10D</b>   | 90  | 40 | 98             | 112            | 80             | 95             | 7   | 1 |
|                | 100 | 40 | 98             | 112            | 80             | 95             | 7   | 1 |
| <b>3-9,8</b>   | 90  | 40 | 98             | 112            | 80             | 95             | 7   | 1 |
|                | 100 | 40 | 98             | 112            | 80             | 95             | 7   | 1 |
| <b>3-4,9</b>   | 90  | 40 | 98             | 112            | 80             | 95             | 7   | 1 |
|                | 100 | 40 | 98             | 112            | 80             | 95             | 7   | 1 |
| <b>3-12D</b>   | 90  | 40 | 98             | 112            | 80             | 95             | 7   | 1 |
|                | 100 | 40 | 98             | 112            | 80             | 95             | 7   | 1 |
| <b>4-14</b>    | 100 | 40 | 130            | 140            | 110            | 120            | 9   | 1 |
|                | 125 | 40 | 130            | 140            | 110            | 120            | 9   | 1 |
| <b>4-7</b>     | 100 | 40 | 130            | 140            | 110            | 120            | 9   | 1 |
|                | 125 | 40 | 130            | 140            | 110            | 120            | 9   | 1 |
| <b>4-28D</b>   | 100 | 40 | 130            | 140            | 110            | 120            | 9   | 1 |
|                | 125 | 40 | 130            | 140            | 110            | 120            | 9   | 1 |
| <b>5-12,5</b>  | 90  | 40 | 98             | 112            | 80             | 95             | 7   | 1 |
|                | 100 | 40 | 98             | 112            | 80             | 95             | 7   | 1 |
| <b>5-16</b>    | 125 | 40 | 140            | 140            | 115            | 115            | 9   | 1 |
|                | 140 | 40 | 140            | 140            | 115            | 115            | 9   | 1 |
| <b>5-19</b>    | 125 | 40 | 140            | 150            | 120            | 130            | 9   | 1 |
|                | 140 | 40 | 140            | 150            | 120            | 130            | 9   | 1 |
| <b>5-9,2</b>   | 125 | 40 | 140            | 150            | 120            | 130            | 9   | 1 |
|                | 140 | 40 | 140            | 150            | 120            | 130            | 9   | 1 |
| <b>5-38D</b>   | 125 | 40 | 140            | 150            | 120            | 130            | 9   | 1 |
|                | 140 | 40 | 140            | 150            | 120            | 130            | 9   | 1 |
| <b>6-22,5</b>  | 125 | 40 | 140            | 140            | 115            | 115            | 9   | 1 |
|                | 140 | 40 | 140            | 140            | 115            | 115            | 9   | 1 |
| <b>6-13,5</b>  | 125 | 40 | 156            | 168            | 126            | 151            | 9   | 1 |
|                | 140 | 40 | 156            | 168            | 126            | 151            | 9   | 1 |
| <b>6-45D</b>   | 125 | 40 | 140            | 140            | 115            | 115            | 9   | 1 |
|                | 140 | 40 | 140            | 140            | 115            | 115            | 9   | 1 |

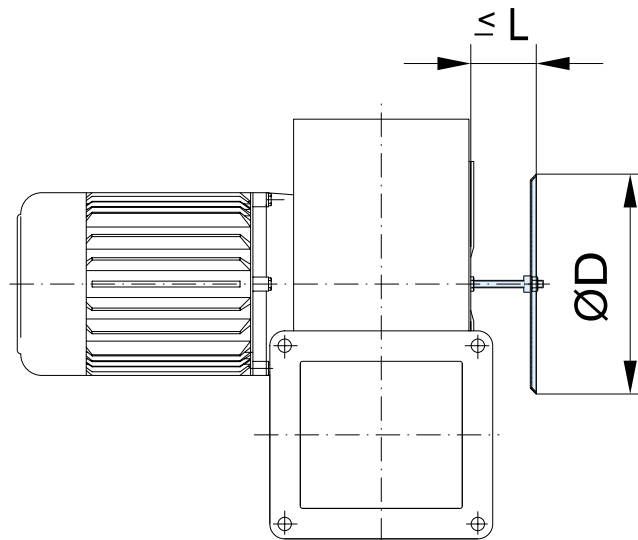
| Ventilator Fan | D   | L  | K <sub>1</sub> | K <sub>2</sub> | L <sub>1</sub> | L <sub>2</sub> | S   | T |
|----------------|-----|----|----------------|----------------|----------------|----------------|-----|---|
| <b>6-25</b>    | 125 | 40 | 140            | 140            | 115            | 115            | 9   | 1 |
|                | 140 | 40 | 140            | 140            | 115            | 115            | 9   | 1 |
| <b>6-50D</b>   | 125 | 40 | 140            | 140            | 115            | 115            | 9   | 1 |
|                | 140 | 40 | 140            | 140            | 115            | 115            | 9   | 1 |
| <b>6-28</b>    | 125 | 40 | 156            | 168            | 126            | 151            | 9   | 1 |
|                | 140 | 40 | 156            | 168            | 126            | 151            | 9   | 1 |
| <b>6-35</b>    | 125 | 32 | 156            | 168            | 126            | 151            | 9   | 1 |
|                | 140 | 42 | 156            | 168            | 126            | 151            | 9   | 1 |
| <b>6-18</b>    | 125 | 32 | 156            | 168            | 126            | 151            | 9   | 1 |
|                | 140 | 42 | 156            | 168            | 126            | 151            | 9   | 1 |
| <b>6-40</b>    | 125 | 40 | 156            | 168            | 126            | 151            | 9   | 1 |
|                | 140 | 40 | 156            | 168            | 126            | 151            | 9   | 1 |
| <b>7-52</b>    | 160 | 40 | 174            | 170            | 144            | 151            | 9   | 1 |
|                | 180 | 40 | 174            | 170            | 144            | 151            | 9   | 1 |
| <b>7-26</b>    | 160 | 40 | 174            | 170            | 144            | 151            | 9   | 1 |
|                | 180 | 40 | 174            | 170            | 144            | 151            | 9   | 1 |
| <b>7-60</b>    | 160 | 40 | 174            | 170            | 144            | 151            | 9   | 1 |
|                | 180 | 40 | 174            | 170            | 144            | 151            | 9   | 1 |
| <b>8-7,5</b>   | 60  | 40 | 85             | 85             | 70             | 70             | 5,8 | 1 |
|                | 80  | 40 | 85             | 85             | 70             | 70             | 5,8 | 1 |
| <b>8-12</b>    | 90  | 40 | 98             | 112            | 80             | 95             | 7   | 1 |
|                | 100 | 40 | 98             | 112            | 80             | 95             | 7   | 1 |
| <b>8-70</b>    | 180 | 40 | 185            | 185            | 165            | 165            | 9   | 1 |
|                | 200 | 40 | 185            | 185            | 165            | 165            | 9   | 1 |
| <b>8-80</b>    | 180 | 40 | 185            | 185            | 165            | 165            | 9   | 1 |
|                | 200 | 40 | 185            | 185            | 165            | 165            | 9   | 1 |
| <b>9-80</b>    | 200 | 40 | 230            | 230            | 195            | 195            | 14  | 1 |
|                | 180 | 40 | 230            | 230            | 195            | 195            | 14  | 1 |
| <b>9-90</b>    | 200 | 40 | 230            | 230            | 195            | 195            | 14  | 1 |
|                | 180 | 40 | 230            | 230            | 195            | 195            | 14  | 1 |
| <b>9-97</b>    | 200 | 40 | 260            | 260            | 220            | 220            | 14  | 1 |
|                | 180 | 40 | 260            | 260            | 220            | 220            | 14  | 1 |
| <b>10-125</b>  | 200 | 40 | 260            | 260            | 220            | 220            | 14  | 1 |
|                | 180 | 40 | 260            | 260            | 220            | 220            | 14  | 1 |



**Ansaugdrossel / intake throttle**

| Ventilator Fan | D   | L  |
|----------------|-----|----|
| 1-1,5          | 81  | 21 |
| 2-2,5          | 109 | 21 |
| 2-4,8          | 109 | 21 |
| 3-2            | 120 | 40 |
| 3-3,5          | 120 | 40 |
| 3-4,5          | 120 | 40 |
| 3-6            | 120 | 40 |
| 3-3            | 120 | 40 |
| 3-10D          | 120 | 40 |
| 3-9,8          | 120 | 40 |
| 3-4,9          | 120 | 40 |
| 3-12D          | 120 | 40 |
| 4-14           | 120 | 40 |
| 4-7            | 120 | 40 |
| 4-28D          | 120 | 40 |
| 5-12,5         | 165 | 40 |
| 5-16           | 148 | 40 |
| 5-19           | 148 | 40 |
| 5-9,2          | 148 | 40 |
| 5-38D          | 148 | 40 |

| Ventilator Fan | D   | L  |
|----------------|-----|----|
| 6-22,5         | 165 | 40 |
| 6-13,5         | 165 | 40 |
| 6-45D          | 165 | 50 |
| 6-25           | 185 | 58 |
| 6-50D          | 185 | 58 |
| 6-28           | 165 | 50 |
| 6-35           | 165 | 50 |
| 6-18           | 165 | 40 |
| 6-40           | 185 | 58 |
| 7-52           | 185 | 58 |
| 7-26           | 185 | 58 |
| 7-60           |     |    |
| 8-7,5          |     |    |
| 8-12           |     |    |
| 8-70           |     |    |
| 8-80           |     |    |
| 9-80           |     |    |
| 9-90           |     |    |
| 9-97           |     |    |
| 10-125         |     |    |

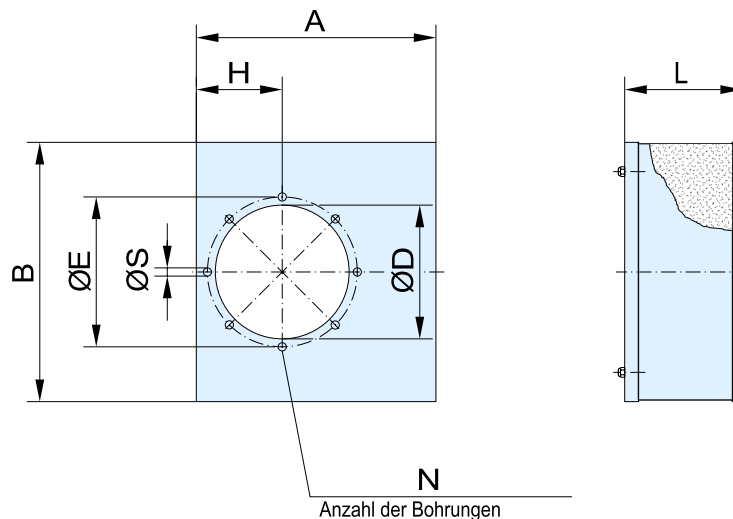


**Ansaugkastenfilter / intake filterbox**

Die Filterklasse ist standardmäßig in EU4 nach DIN EU 779 ausgeführt.  
The filter quality of EU4 (DIN EU 779) is standard.

| Ventilator Fan | A   | B   | L  | H  | D   | E   | S   | N |
|----------------|-----|-----|----|----|-----|-----|-----|---|
| <b>1-1,5</b>   |     |     |    |    |     |     |     |   |
| <b>2-2,5</b>   |     |     |    |    |     |     |     |   |
| <b>2-4,8</b>   |     |     |    |    |     |     |     |   |
| <b>3-2</b>     | 222 | 270 | 87 | 80 | 135 | 144 | 4,8 | 4 |
| <b>3-3,5</b>   | 222 | 270 | 87 | 80 | 135 | 144 | 4,8 | 4 |
| <b>3-4,5</b>   | 222 | 270 | 87 | 80 | 135 | 144 | 4,8 | 4 |
| <b>3-6</b>     | 222 | 270 | 87 | 80 | 135 | 144 | 4,8 | 4 |
| <b>3-3</b>     | 222 | 270 | 87 | 80 | 135 | 144 | 4,8 | 4 |
| <b>3-10D</b>   | 222 | 270 | 87 | 80 | 135 | 144 | 4,8 | 4 |
| <b>3-9,8</b>   | 222 | 270 | 87 | 80 | 135 | 144 | 4,8 | 4 |
| <b>3-4,9</b>   | 222 | 270 | 87 | 80 | 135 | 144 | 4,8 | 4 |
| <b>3-12D</b>   | 222 | 270 | 87 | 80 | 135 | 144 | 4,8 | 4 |
| <b>4-14</b>    | 222 | 270 | 87 | 80 | 135 | 144 | 4,8 | 4 |
| <b>4-7</b>     | 222 | 270 | 87 | 80 | 135 | 144 | 4,8 | 4 |
| <b>4-28D</b>   | 222 | 270 | 87 | 80 | 135 | 144 | 4,8 | 4 |
| <b>5-12,5</b>  | 222 | 270 | 87 | 92 | 163 | 175 | 5,8 | 4 |
| <b>5-16</b>    | 292 | 316 | 99 | 87 | 148 | 157 | 5,8 | 4 |
| <b>5-19</b>    | 292 | 316 | 99 | 87 | 148 | 157 | 5,8 | 4 |
| <b>5-9,2</b>   | 292 | 316 | 99 | 87 | 148 | 157 | 5,8 | 4 |
| <b>5-38D</b>   | 292 | 316 | 99 | 87 | 148 | 157 | 5,8 | 4 |

| Ventilator Fan | A   | B   | L   | H   | D   | E   | S   | N |
|----------------|-----|-----|-----|-----|-----|-----|-----|---|
| <b>6-22,5</b>  | 292 | 316 | 99  | 97  | 163 | 175 | 5,8 | 4 |
| <b>6-13,5</b>  | 292 | 316 | 147 | 97  | 163 | 175 | 5,8 | 4 |
| <b>6-45D</b>   | 292 | 316 | 99  | 97  | 163 | 175 | 5,8 | 4 |
| <b>6-25</b>    | 292 | 316 | 147 | 109 | 183 | 196 | 5,8 | 8 |
| <b>6-50D</b>   | 292 | 316 | 147 | 109 | 183 | 196 | 5,8 | 8 |
| <b>6-28</b>    | 292 | 316 | 147 | 97  | 163 | 175 | 5,8 | 4 |
| <b>6-35</b>    | 292 | 316 | 147 | 97  | 163 | 175 | 5,8 | 4 |
| <b>6-18</b>    | 292 | 316 | 147 | 97  | 163 | 175 | 5,8 | 4 |
| <b>6-40</b>    | 292 | 316 | 147 | 109 | 183 | 196 | 5,8 | 8 |
| <b>7-52</b>    | 364 | 376 | 197 | 110 | 183 | 196 | 5,8 | 8 |
| <b>7-26</b>    | 364 | 376 | 197 | 110 | 183 | 196 | 5,8 | 8 |
| <b>7-60</b>    | 364 | 376 | 197 | 120 | 203 | 212 | 5,8 | 8 |
| <b>8-7,5</b>   | 424 | 448 | 305 | 120 | 203 | 212 | 5,8 | 8 |
| <b>8-12</b>    | 424 | 448 | 305 | 120 | 203 | 212 | 5,8 | 8 |
| <b>8-70</b>    | 424 | 448 | 305 | 120 | 203 | 212 | 5,8 | 8 |
| <b>8-80</b>    | 424 | 448 | 305 | 132 | 220 | 232 | 5,8 | 8 |
| <b>9-80</b>    | 533 | 533 | 310 | 169 | 255 | 276 | 7   | 8 |
| <b>9-90</b>    | 533 | 533 | 310 | 169 | 255 | 276 | 7   | 8 |
| <b>9-97</b>    | 533 | 533 | 310 | 169 | 255 | 276 | 7   | 8 |
| <b>10-125</b>  |     |     |     |     |     |     |     |   |

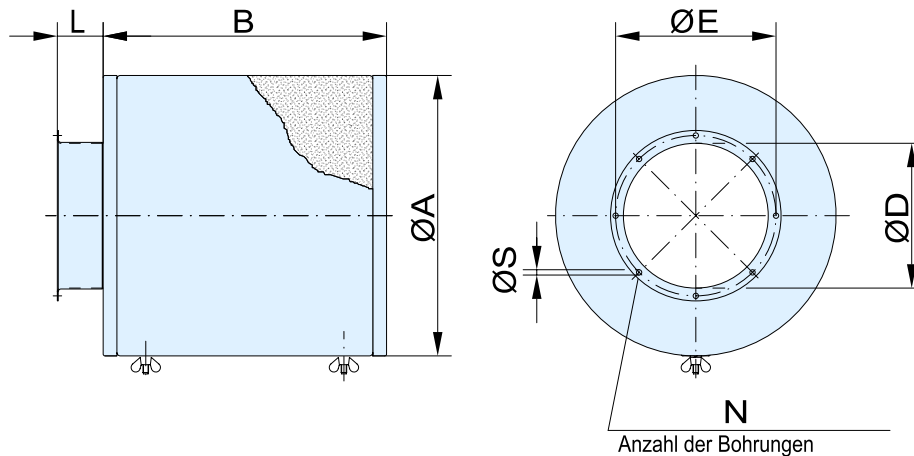


**Ansauggrundfilter / intakefilter-round**

Die Filterklasse ist standardmäßig in EU4 nach DIN EU 779 ausgeführt.  
The filter quality of EU4 (DIN EU 779) is standard.

| Ventilator Fan | A   | B   | L  | D   | E   | S   | N |
|----------------|-----|-----|----|-----|-----|-----|---|
| <b>1-1,5</b>   |     |     |    |     |     |     |   |
| <b>2-2,5</b>   | 150 | 142 | 25 | 100 | 116 | 3,6 | 4 |
| <b>2-4,8</b>   | 150 | 142 | 25 | 100 | 116 | 3,6 | 4 |
| <b>3-2</b>     | 205 | 237 | 25 | 120 | 144 | 4,8 | 4 |
| <b>3-3,5</b>   | 205 | 237 | 25 | 120 | 144 | 4,8 | 4 |
| <b>3-4,5</b>   | 205 | 237 | 25 | 120 | 144 | 4,8 | 4 |
| <b>3-6</b>     | 205 | 237 | 25 | 120 | 144 | 4,8 | 4 |
| <b>3-3</b>     | 205 | 237 | 25 | 120 | 144 | 4,8 | 4 |
| <b>3-10D</b>   | 205 | 237 | 25 | 120 | 144 | 4,8 | 4 |
| <b>3-9,8</b>   | 205 | 237 | 25 | 120 | 144 | 4,8 | 4 |
| <b>3-4,9</b>   | 205 | 237 | 25 | 120 | 144 | 4,8 | 4 |
| <b>3-12D</b>   | 205 | 237 | 25 | 120 | 144 | 4,8 | 4 |
| <b>4-14</b>    | 205 | 237 | 25 | 120 | 144 | 4,8 | 4 |
| <b>4-7</b>     | 205 | 237 | 25 | 120 | 144 | 4,8 | 4 |
| <b>4-28D</b>   | 205 | 237 | 25 | 120 | 144 | 4,8 | 4 |
| <b>5-12,5</b>  | 252 | 189 | 25 | 155 | 175 | 5,8 | 4 |
| <b>5-16</b>    | 252 | 297 | 25 | 135 | 157 | 5,8 | 4 |
| <b>5-19</b>    | 252 | 297 | 25 | 135 | 157 | 5,8 | 4 |
| <b>5-9,2</b>   | 252 | 297 | 25 | 135 | 157 | 5,8 | 4 |
| <b>5-38D</b>   | 252 | 297 | 25 | 135 | 157 | 5,8 | 4 |

| Ventilator Fan | A   | B   | L  | D   | E   | S   | N |
|----------------|-----|-----|----|-----|-----|-----|---|
| <b>6-22,5</b>  | 306 | 237 | 25 | 155 | 175 | 5,8 | 4 |
| <b>6-13,5</b>  | 306 | 237 | 25 | 155 | 175 | 5,8 | 4 |
| <b>6-45D</b>   | 306 | 237 | 25 | 155 | 175 | 5,8 | 4 |
| <b>6-25</b>    | 410 | 357 | 25 | 155 | 196 | 5,8 | 8 |
| <b>6-50D</b>   | 410 | 357 | 25 | 155 | 196 | 5,8 | 8 |
| <b>6-28</b>    | 306 | 297 | 25 | 155 | 175 | 5,8 | 4 |
| <b>6-35</b>    | 306 | 297 | 25 | 155 | 175 | 5,8 | 4 |
| <b>6-18</b>    | 306 | 297 | 25 | 155 | 175 | 5,8 | 4 |
| <b>6-40</b>    | 410 | 357 | 25 | 155 | 196 | 5,8 | 8 |
| <b>7-52</b>    | 410 | 357 | 25 | 155 | 196 | 5,8 | 8 |
| <b>7-26</b>    | 410 | 357 | 25 | 155 | 196 | 5,8 | 8 |
| <b>7-60</b>    | 410 | 573 | 25 | 175 | 212 | 5,8 | 8 |
| <b>8-7,5</b>   | 410 | 573 | 25 | 175 | 212 | 5,8 | 8 |
| <b>8-12</b>    | 410 | 573 | 25 | 175 | 212 | 5,8 | 8 |
| <b>8-70</b>    | 410 | 573 | 25 | 175 | 212 | 5,8 | 8 |
| <b>8-80</b>    | 410 | 573 | 25 | 175 | 232 | 5,8 | 8 |
| <b>9-80</b>    |     |     |    |     |     |     |   |
| <b>9-90</b>    |     |     |    |     |     |     |   |
| <b>9-97</b>    |     |     |    |     |     |     |   |
| <b>10-125</b>  |     |     |    |     |     |     |   |



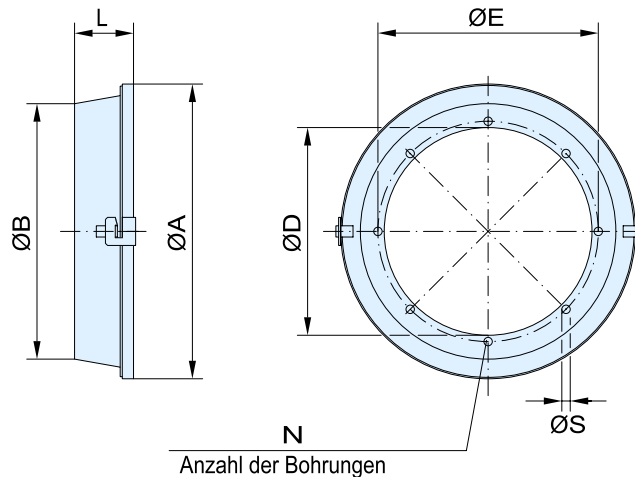
**Ansaugflachfilter / intakefilter-flag**

Die Filterklasse ist standardmäßig in EU3 nach DIN EU 779 ausgeführt.

The filter quality of EU3 (DIN EU 779) is standard.

| Ventilator Fan | A   | B   | L  | D   | E   | S   | N |
|----------------|-----|-----|----|-----|-----|-----|---|
| 1-1,5          | 121 | 103 | 40 | 86  | 95  | 3,6 | 4 |
| 2-2,5          | 147 | 127 | 49 | 107 | 116 | 3,6 | 4 |
| 2-4,8          | 147 | 127 | 49 | 107 | 116 | 3,6 | 4 |
| 3-2            | 187 | 159 | 38 | 135 | 144 | 4,8 | 4 |
| 3-3,5          | 187 | 159 | 38 | 135 | 144 | 4,8 | 4 |
| 3-4,5          | 187 | 159 | 38 | 135 | 144 | 4,8 | 4 |
| 3-6            | 187 | 159 | 38 | 135 | 144 | 4,8 | 4 |
| 3-3            | 187 | 159 | 38 | 135 | 144 | 4,8 | 4 |
| 3-10D          | 187 | 159 | 38 | 135 | 144 | 4,8 | 4 |
| 3-9,8          | 187 | 159 | 38 | 135 | 144 | 4,8 | 4 |
| 3-4,9          | 187 | 159 | 38 | 135 | 144 | 4,8 | 4 |
| 3-12D          | 187 | 159 | 38 | 135 | 144 | 4,8 | 4 |
| 4-14           | 187 | 159 | 38 | 135 | 144 | 4,8 | 4 |
| 4-7            | 187 | 159 | 38 | 135 | 144 | 4,8 | 4 |
| 4-28D          | 187 | 159 | 38 | 135 | 144 | 4,8 | 4 |
| 5-12,5         | 237 | 205 | 54 | 165 | 175 | 5,8 | 4 |
| 5-16           | 210 | 182 | 42 | 148 | 157 | 5,8 | 4 |
| 5-19           | 210 | 182 | 42 | 148 | 157 | 5,8 | 4 |
| 5-9,2          | 210 | 182 | 42 | 148 | 157 | 5,8 | 4 |
| 5-38D          | 210 | 182 | 42 | 148 | 157 | 5,8 | 4 |

| Ventilator Fan | A   | B   | L  | D   | E   | S   | N |
|----------------|-----|-----|----|-----|-----|-----|---|
| 6-22,5         |     |     |    |     |     |     |   |
| 6-13,5         |     |     |    |     |     |     |   |
| 6-45D          |     |     |    |     |     |     |   |
| 6-25           |     |     |    |     |     |     |   |
| 6-50D          |     |     |    |     |     |     |   |
| 6-28           |     |     |    |     |     |     |   |
| 6-35           |     |     |    |     |     |     |   |
| 6-18           |     |     |    |     |     |     |   |
| 6-40           |     |     |    |     |     |     |   |
| 7-52           |     |     |    |     |     |     |   |
| 7-26           |     |     |    |     |     |     |   |
| 7-60           |     |     |    |     |     |     |   |
| 8-7,5          | 285 | 250 | 56 | 203 | 212 | 5,8 | 8 |
| 8-12           | 285 | 250 | 56 | 203 | 212 | 5,8 | 8 |
| 8-70           |     |     |    |     |     |     |   |
| 8-80           |     |     |    |     |     |     |   |
| 9-80           |     |     |    |     |     |     |   |
| 9-90           |     |     |    |     |     |     |   |
| 9-97           |     |     |    |     |     |     |   |
| 10-125         |     |     |    |     |     |     |   |

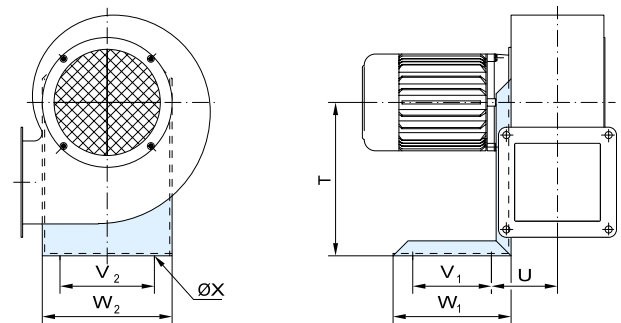




**Ventilatorfuß / foot-mounting**

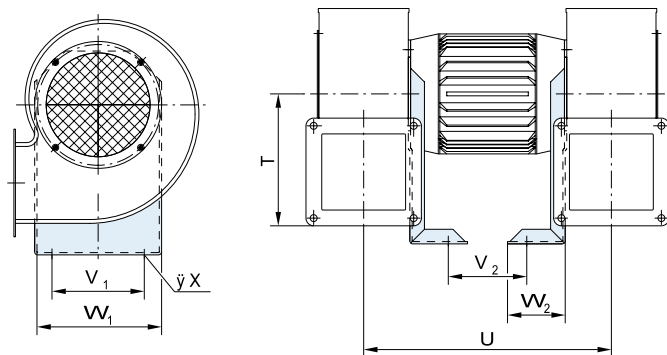
| Ventilator Fan | W <sub>1</sub> | W <sub>2</sub> | V <sub>1</sub> | V <sub>2</sub> | U    | X   | T   |
|----------------|----------------|----------------|----------------|----------------|------|-----|-----|
| <b>1-1,5</b>   | 94             | 60             | 55             | 35             | 46   | 6,5 | 95  |
| <b>2-2,5</b>   | 94             | 60             | 55             | 35             | 46,5 | 6,5 | 106 |
| <b>2-4,8</b>   | 94             | 60             | 55             | 35             | 47,5 | 6,5 | 116 |
| <b>3-2</b>     | 130            | 100            | 80             | 60             | 41,5 | 7   | 135 |
| <b>3-3,5</b>   | 130            | 100            | 80             | 60             | 41,5 | 7   | 135 |
| <b>3-4,5</b>   | 130            | 100            | 80             | 60             | 47,5 | 7   | 135 |
| <b>3-6</b>     | 130            | 100            | 80             | 60             | 63,5 | 7   | 135 |
| <b>3-3</b>     | 130            | 100            | 80             | 60             | 63,5 | 7   | 135 |
| <b>3-9,8</b>   | 130            | 100            | 80             | 60             | 63,5 | 7   | 135 |
| <b>3-4,9</b>   | 130            | 100            | 80             | 60             | 63,5 | 7   | 135 |
| <b>4-14</b>    | 130            | 100            | 80             | 60             | 71,5 | 7   | 155 |
| <b>4-7</b>     | 130            | 100            | 80             | 60             | 71,5 | 7   | 155 |
| <b>5-12,5</b>  | 165            | 150            | 120            | 100            | 69,5 | 9   | 195 |
| <b>5-16</b>    | 165            | 150            | 120            | 100            | 74   | 9   | 195 |
| <b>5-19</b>    | 165            | 150            | 120            | 100            | 85   | 9   | 195 |
| <b>5-9,2</b>   | 165            | 150            | 120            | 100            | 85   | 9   | 195 |
| <b>6-22,5</b>  | 165            | 150            | 120            | 100            | 78   | 9   | 195 |
| <b>6-13,5</b>  | 165            | 150            | 120            | 100            | 91,5 | 9   | 195 |
| <b>6-25</b>    | 165            | 150            | 120            | 100            | 77   | 9   | 195 |

| Ventilator Fan | W <sub>1</sub> | W <sub>2</sub> | V <sub>1</sub> | V <sub>2</sub> | U    | X | T   |
|----------------|----------------|----------------|----------------|----------------|------|---|-----|
| <b>6-28</b>    | 165            | 150            | 120            | 100            | 91,5 | 9 | 195 |
| <b>6-35</b>    | 165            | 150            | 120            | 100            | 91,5 | 9 | 195 |
| <b>6-18</b>    | 165            | 150            | 120            | 100            | 91,5 | 9 | 195 |
| <b>6-40</b>    | 165            | 150            | 120            | 100            | 91,5 | 9 | 195 |
| <b>7-26</b>    | 165            | 150            | 120            | 100            | 92   | 9 | 230 |
| <b>8-7,5</b>   | 140            | 120            | 110            | 75             | 57,5 | 9 | 185 |
| <b>8-12</b>    | 165            | 120            | 110            | 75             | 68   | 9 | 185 |



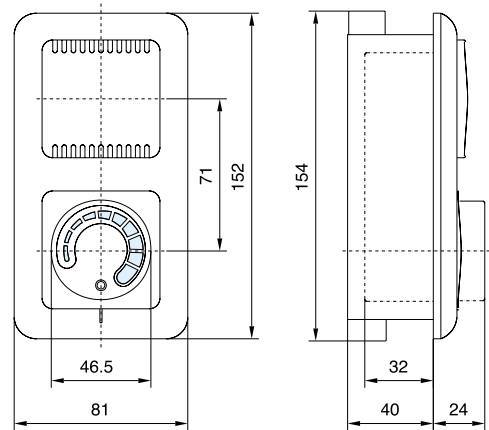
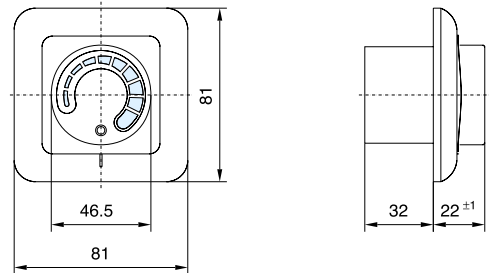
**Ventilatorfuß / foot-mounting**

| Ventilator Fan | W <sub>1</sub> | W <sub>2</sub> | V <sub>1</sub> | V <sub>2</sub> | U     | X | T   |
|----------------|----------------|----------------|----------------|----------------|-------|---|-----|
| <b>3-10D</b>   | 130            | 75             | 80             | 84             | 251   | 7 | 135 |
| <b>3-12D</b>   | 130            | 75             | 80             | 84             | 251   | 7 | 135 |
| <b>4-28D</b>   | 120            | 48             | 70             | 105            | 247,5 | 7 | 155 |
| <b>5-38D</b>   | 165            | 50             | 120            | 100            | 320   | 9 | 195 |



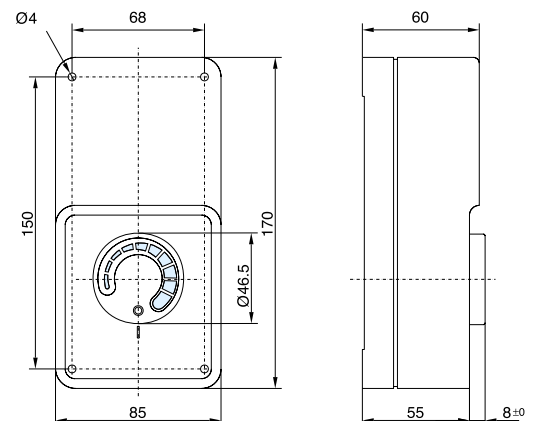
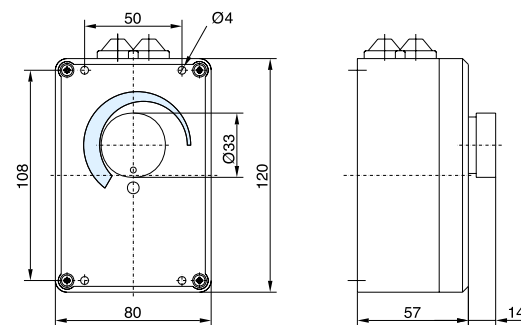
**Drehzahlsteller u. P. / speed regulator**

| Art. Nr.<br>Part no. | Nennstrom<br>Current |
|----------------------|----------------------|
| <b>14275</b>         | 1 - 2,5 A            |
| <b>14277</b>         | 0,2 - 5,0 A          |



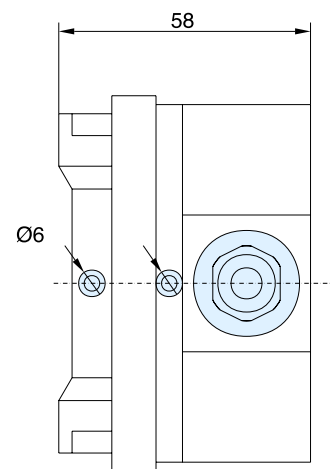
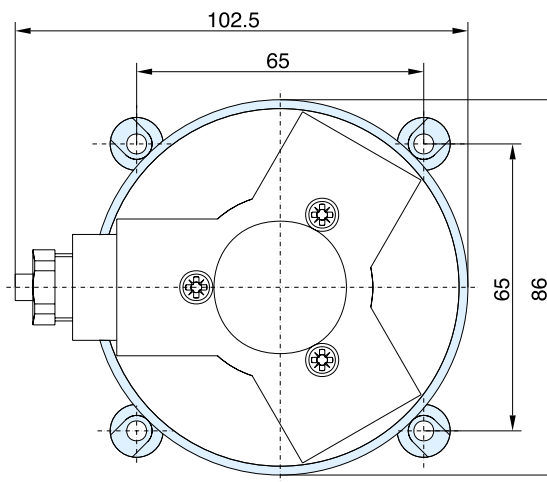
**Drehzahlsteller a. P. / speed regulator**

| Art. Nr.<br>Part no. | Nennstrom<br>Current |
|----------------------|----------------------|
| <b>58989</b>         | 0,1 - 3,0 A          |
| <b>14276</b>         | 0,2 - 5,0 A          |

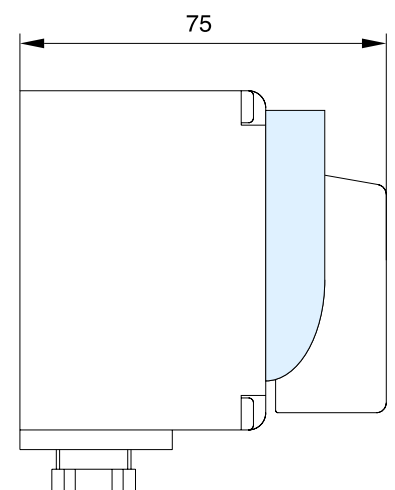
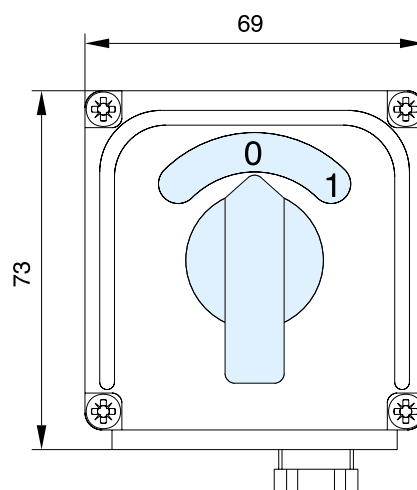


**Druckwächter / pressure switches**

| Type          | Einstellbereich für oberen Schalldruck       |          | Schaltdifferenz eingestellt auf | Toleranz auf oberen und unteren Schalldruck      |
|---------------|--|----------|---------------------------------|--|
|               | Pressure ranges for upper switching pressure |          |                                 |  |
|               | von / from                                   | bis / to | Switching differential set to   | Tolerance for upper and lower switching pressure |
| <b>930.82</b> | 20   | 200 Pa   | 10 Pa                           | ±15 %  |
| <b>930.85</b> | 200  | 1.000 Pa | 100 Pa                          | ±15 %  |
| <b>930.86</b> | 500  | 2.500 Pa | 1.500 Pa                        | ±15 %  |



**Ein-/Aus-Schalter / on-/off-switch**

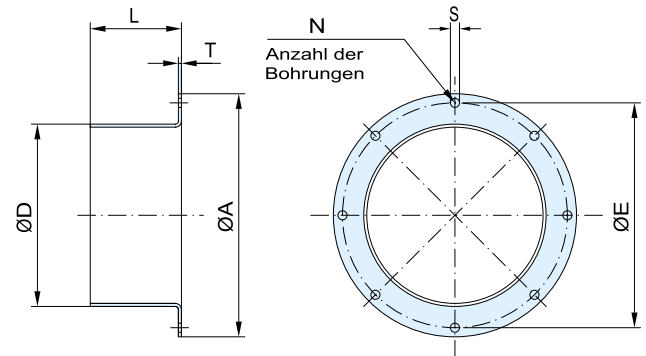






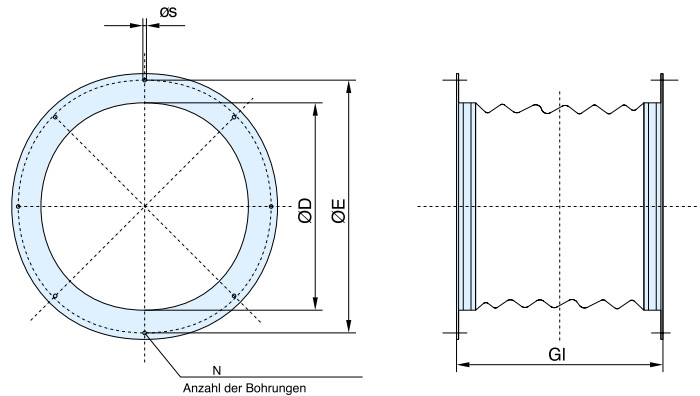
**Ansaugstutzen / intake connection**

| Ventilator Fan | D   | L  | A   | E   | S | N | T |
|----------------|-----|----|-----|-----|---|---|---|
| <b>9-30</b>    | 200 | 40 | 290 | 276 | 7 | 8 | 1 |
| <b>9-43</b>    | 200 | 40 | 290 | 276 | 7 | 8 | 1 |



**elastische Ansaugstutzen / flexible intake connection**

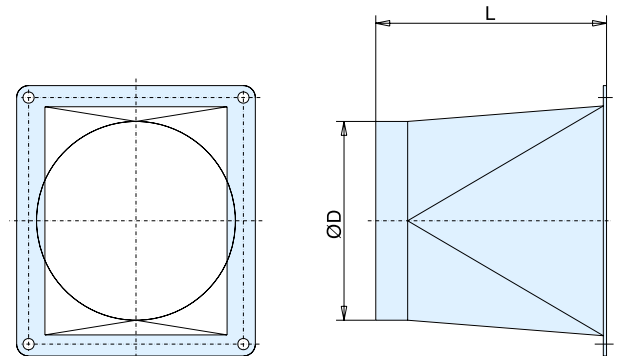
| Ventilator Fan | ØD  | ØE  | ØS | GI  | N  |
|----------------|-----|-----|----|-----|----|
| <b>10-32,5</b> | 283 | 350 | 7  | 200 | 8  |
| <b>10-45</b>   | 283 | 350 | 7  | 200 | 8  |
| <b>10-65</b>   | 283 | 350 | 7  | 200 | 8  |
| <b>11-60</b>   | 318 | 390 | 7  | 200 | 12 |
| <b>11-80</b>   | 318 | 390 | 7  | 200 | 12 |
| <b>11-120</b>  | 318 | 390 | 7  | 200 | 12 |
| <b>12-92</b>   | 318 | 430 | 7  | 200 | 12 |
| <b>13-75</b>   | 400 | 490 | 7  | 200 | 12 |
| <b>13-120</b>  | 400 | 490 | 7  | 200 | 12 |
| <b>13-150</b>  | 400 | 490 | 7  | 200 | 12 |
| <b>14-110</b>  | 452 | 540 | 7  | 200 | 16 |
| <b>14-200</b>  | 452 | 540 | 7  | 200 | 16 |
| <b>14-215</b>  | 452 | 540 | 7  | 200 | 16 |
| <b>15-160</b>  | 452 | 600 | 7  | 200 | 16 |
| <b>15-250</b>  | 452 | 600 | 7  | 200 | 16 |
| <b>15-300</b>  | 452 | 600 | 7  | 200 | 16 |
| <b>16-250</b>  | 452 | 670 | 7  | 200 | 16 |
| <b>17-310</b>  | 452 | 750 | 7  | 200 | 16 |





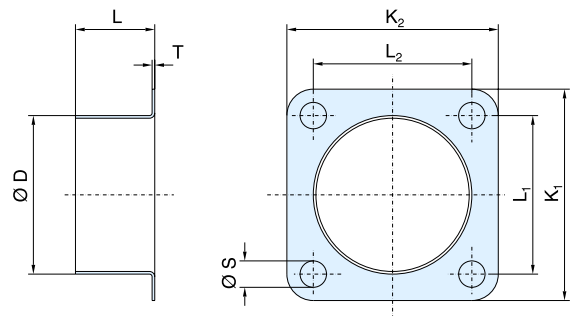
**Ausblasübergangsstück / exhaust-adapter**

| Ventilator Fan | ØD  | L   | Ventilator Fan | ØD  | L   |
|----------------|-----|-----|----------------|-----|-----|
| <b>10-32,5</b> | 224 | 150 | <b>13-150</b>  | 315 | 240 |
|                | 250 | 150 |                | 355 | 240 |
| <b>10-45</b>   | 224 | 150 | <b>14-110</b>  | 355 | 280 |
|                | 250 | 150 |                | 400 | 280 |
| <b>10-65</b>   | 224 | 150 | <b>14-200</b>  | 355 | 280 |
|                | 250 | 150 |                | 400 | 280 |
| <b>11-60</b>   | 280 | 180 | <b>14-215</b>  | 355 | 280 |
|                | 300 | 180 |                | 400 | 280 |
| <b>11-80</b>   | 280 | 180 | <b>15-160</b>  | 400 | 300 |
|                | 300 | 180 |                | 450 | 300 |
| <b>11-120</b>  | 280 | 150 | <b>15-250</b>  | 400 | 300 |
|                | 300 | 150 |                | 450 | 300 |
| <b>12-92</b>   | 350 | 250 | <b>15-300</b>  | 400 | 300 |
|                | 402 | 310 |                | 450 | 300 |
| <b>13-75</b>   | 325 | 240 | <b>16-250</b>  |     |     |
|                | 355 | 240 |                |     |     |
| <b>13-120</b>  | 315 | 240 | <b>17-310</b>  |     |     |
|                | 355 | 240 |                |     |     |



**Ausblasstutzen / exhaust connection**

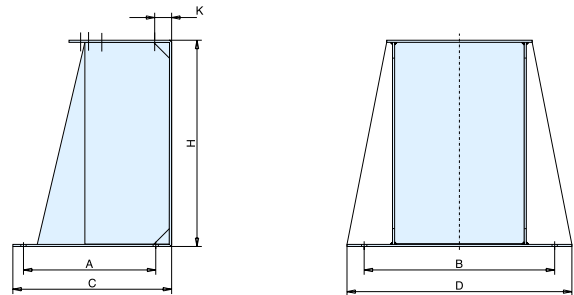
| Ventilator Fan | D   | L  | K <sub>1</sub> | K <sub>2</sub> | L <sub>1</sub> | L <sub>2</sub> | S  | T |
|----------------|-----|----|----------------|----------------|----------------|----------------|----|---|
| <b>9-30</b>    | 200 | 40 | 260            | 260            | 220            | 220            | 14 | 1 |
|                | 180 | 40 | 260            | 260            | 220            | 220            | 14 | 1 |
| <b>9-43</b>    | 200 | 40 | 260            | 260            | 220            | 220            | 14 | 1 |
|                | 180 | 40 | 260            | 260            | 220            | 220            | 14 | 1 |





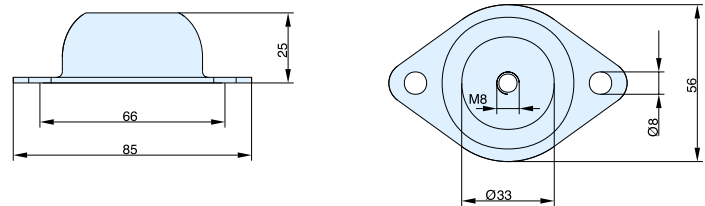
**Motorkonsole / motor-bracket**

| Ventilator Fan | Art. Nr. Part no. | A   | B   | C   | D   | H   | K  |
|----------------|-------------------|-----|-----|-----|-----|-----|----|
| 11-60          | 63297             | 250 | 360 | 300 | 395 | 415 | 32 |
| 11-80          | 61017             | 250 | 360 | 300 | 395 | 390 | 32 |
| 11-120         | 61017             | 250 | 360 | 300 | 395 | 390 | 32 |
| 12-92          | 61017             | 250 | 360 | 300 | 395 | 390 | 32 |
| 13-75          | 63297             | 250 | 360 | 300 | 395 | 415 | 32 |
| 13-120         | 61017             | 250 | 360 | 300 | 395 | 390 | 32 |
| 13-150         | 61017             | 250 | 360 | 300 | 395 | 390 | 32 |
| 14-110         | 63099             | 260 | 460 | 310 | 495 | 530 | 32 |
| 14-200         | 63099             | 260 | 460 | 310 | 495 | 530 | 32 |
| 14-215         | 63099             | 260 | 460 | 310 | 495 | 530 | 22 |
| 15-160         | 63099             | 260 | 460 | 310 | 495 | 530 | 22 |
| 15-250         | 63135             | 400 | 460 | 450 | 195 | 500 | 32 |
| 15-300         | 63135             | 400 | 469 | 450 | 195 | 500 | 32 |
| 16-250         | 95621             | 400 | 460 | 450 | 495 | 650 | 32 |
| 17-310         | 95621             | 400 | 460 | 450 | 495 | 650 | 32 |



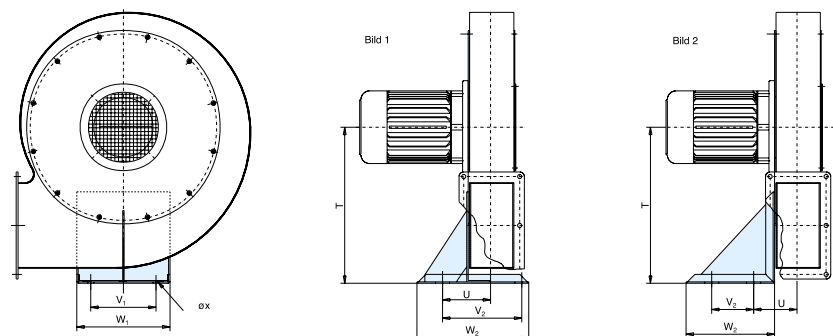
**Schwingungsdämpfer / vibration-damper**

| Art. Nr. Part no. |  |
|-------------------|--|
| 63124             | Härte A, max. Belastung 20 kg<br>Hardness A loading max. 20 kg |
| 63188             | Härte A, max. Belastung 50 kg<br>Hardness A loading max. 50 kg |



**Ventilatorfuss / foot-mounting**

| Ventilator Fan | W <sub>1</sub> | W <sub>2</sub> | V <sub>1</sub> | V <sub>2</sub> | U   | X  | T   | Bild |
|----------------|----------------|----------------|----------------|----------------|-----|----|-----|------|
| 9-30           | 230            | 200            | 170            | 140            | 113 | 12 | 310 | 2    |
| 9-43           | 230            | 200            | 170            | 140            | 113 | 12 | 310 | 2    |
| 10-45          | 200            | 240            | 140            | 170            | 151 | 13 | 365 | 1    |
| 10-65          | 200            | 240            | 140            | 170            | 142 | 13 | 365 | 1    |
| 10-32,5        | 200            | 240            | 140            | 170            | 142 | 13 | 365 | 1    |

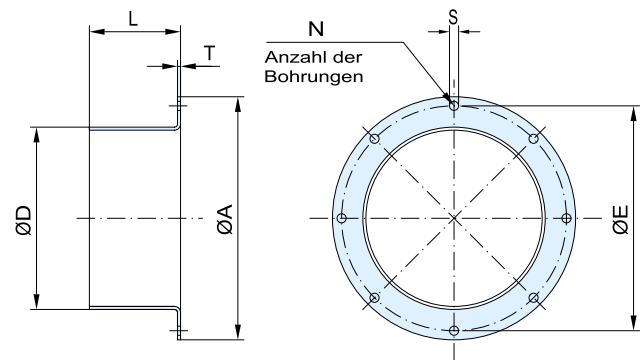




**Ansaugstutzen / intake connection**

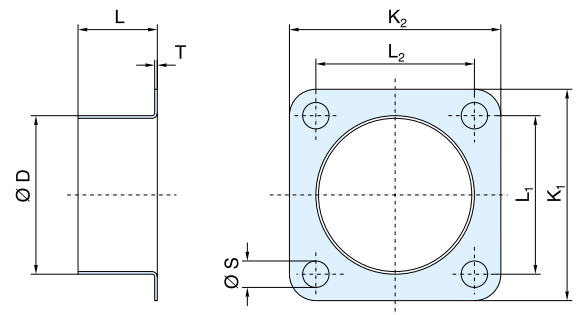
| Ventilator Fan | D   | L  | A   | E   | S   | N | T |
|----------------|-----|----|-----|-----|-----|---|---|
| <b>120</b>     | 60  | 40 | 102 | 95  | 3,6 | 4 | 1 |
|                | 80  | 40 | 102 | 95  | 3,6 | 4 | 1 |
| <b>133</b>     | 60  | 40 | 102 | 95  | 3,6 | 4 | 1 |
|                | 80  | 40 | 102 | 95  | 3,6 | 4 | 1 |
| <b>185</b>     | 80  | 40 | 123 | 116 | 3,6 | 3 | 1 |
|                | 100 | 40 | 123 | 116 | 3,6 | 3 | 1 |
| <b>200</b>     | 80  | 40 | 123 | 116 | 3,6 | 3 | 1 |
|                | 100 | 40 | 123 | 116 | 3,6 | 3 | 1 |
| <b>230</b>     | 80  | 40 | 123 | 116 | 3,6 | 4 | 1 |
|                | 100 | 40 | 123 | 116 | 3,6 | 4 | 1 |
| <b>250</b>     | 100 | 40 | 152 | 144 | 4,8 | 4 | 1 |
|                | 125 | 40 | 152 | 144 | 4,8 | 4 | 1 |
| <b>280</b>     | 100 | 40 | 152 | 144 | 4,8 | 4 | 1 |
|                | 125 | 40 | 152 | 144 | 5   | 4 | 1 |
| <b>300</b>     | 125 | 40 | 165 | 157 | 5,8 | 4 | 1 |
|                | 140 | 40 | 165 | 157 | 5,8 | 4 | 1 |
| <b>330</b>     | 125 | 40 | 165 | 157 | 5,8 | 4 | 1 |
|                | 140 | 40 | 165 | 157 | 5,8 | 4 | 1 |
| <b>350</b>     | 140 | 40 | 186 | 175 | 5,8 | 4 | 1 |
|                | 160 | 40 | 186 | 175 | 5,8 | 4 | 1 |

| Ventilator Fan | D   | L  | A   | E   | S   | N | T |
|----------------|-----|----|-----|-----|-----|---|---|
| <b>370/1</b>   | 160 | 40 | 222 | 212 | 5,8 | 8 | 1 |
|                | 180 | 40 | 222 | 212 | 5,8 | 8 | 1 |
| <b>370/2</b>   | 180 | 40 | 244 | 232 | 5,8 | 8 | 1 |
|                | 200 | 40 | 244 | 232 | 5,8 | 8 | 1 |
| <b>400</b>     | 180 | 40 | 244 | 232 | 5,8 | 8 | 1 |
|                | 200 | 40 | 244 | 232 | 5,8 | 8 | 1 |



**Ausblasstutzen / exhaust connection**

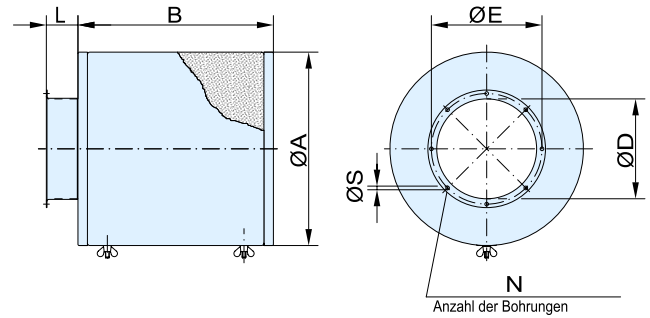
| Ventilator Fan | D   | L  | K <sub>1</sub> | K <sub>2</sub> | L <sub>1</sub> | L <sub>2</sub> | S   | T    |
|----------------|-----|----|----------------|----------------|----------------|----------------|-----|------|
| <b>120</b>     | 40  | 32 | 85             | 60             | 60             | 50             | 5,8 | 1    |
|                | 60  | 42 | 85             | 60             | 60             | 50             | 5,8 | 1,25 |
| <b>133</b>     | 40  | 32 | 85             | 60             | 60             | 50             | 5,8 | 1    |
|                | 60  | 42 | 85             | 60             | 60             | 50             | 5,8 | 1,25 |
| <b>185</b>     | 80  | 40 | 85             | 85             | 70             | 70             | 5,8 | 1    |
| <b>200</b>     | 80  | 40 | 85             | 85             | 70             | 70             | 5,8 | 1    |
| <b>230</b>     | 90  | 40 | 120            | 120            | 90             | 90             | 9   | 1    |
|                | 80  | 40 | 105            | 105            | 80             | 80             | 9   | 1    |
| <b>250</b>     | 90  | 40 | 105            | 105            | 80             | 80             | 9   | 1    |
|                | 80  | 40 | 120            | 120            | 90             | 90             | 9   | 1    |
| <b>280</b>     | 90  | 40 | 120            | 120            | 90             | 90             | 9   | 1    |
| <b>300</b>     | 112 | 40 | 125            | 125            | 95             | 95             | 9   | 1    |
| <b>330</b>     | 112 | 40 | 125            | 125            | 95             | 95             | 9   | 1    |
| <b>350</b>     | 125 | 40 | 140            | 140            | 115            | 115            | 9   | 1    |
|                | 140 | 42 | 140            | 140            | 115            | 115            | 9   | 1    |
| <b>370/1</b>   | 125 | 40 | 155            | 155            | 117            | 117            | 11  | 1    |
|                | 140 | 40 | 155            | 155            | 117            | 117            | 11  | 1    |
| <b>370/2</b>   | 140 | 40 | 175            | 175            | 140            | 140            | 11  | 1    |
|                | 160 | 40 | 175            | 175            | 140            | 140            | 11  | 1    |
| <b>400</b>     | 180 | 40 | 195            | 195            | 150            | 150            | 11  | 1    |



**Ansauggrundfilter / intakefilter-round**

Die Filterklasse ist standardmäßig in EU4 nach DIN EU 779 ausgeführt.  
The filter quality of EU4 (DIN EU 779) is standard.

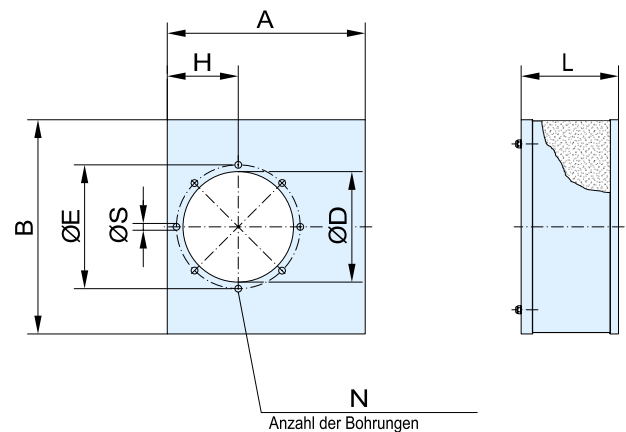
| Ventilator Fan | A   | B   | L  | D   | E   | S   | N |
|----------------|-----|-----|----|-----|-----|-----|---|
| 120            |     |     |    |     |     |     |   |
| 133            |     |     |    |     |     |     |   |
| 185            | 150 | 142 | 25 | 100 | 116 | 3,6 | 3 |
| 200            | 150 | 142 | 25 | 100 | 116 | 3,6 | 3 |
| 230            | 150 | 142 | 25 | 100 | 116 | 3,6 | 4 |
| 250            | 205 | 237 | 25 | 120 | 144 | 4,8 | 4 |
| 280            | 205 | 237 | 25 | 120 | 144 | 4,8 | 4 |
| 300            | 252 | 297 | 25 | 135 | 157 | 5,8 | 4 |
| 330            | 252 | 297 | 25 | 135 | 157 | 5,8 | 4 |
| 350            | 306 | 297 | 25 | 155 | 175 | 5,8 | 4 |
| 370-1          | 410 | 357 | 25 | 175 | 212 | 5,8 | 8 |
| 370-2          | 410 | 573 | 25 | 175 | 232 | 5,8 | 8 |
| 400            | 410 | 573 | 25 | 175 | 232 | 5,8 | 8 |



**Ansaugkastenfilter / intake filterbox**

Die Filterklasse ist standardmäßig in EU4 nach DIN EU 779 ausgeführt.  
The filter quality of EU4 (DIN EU 779) is standard.

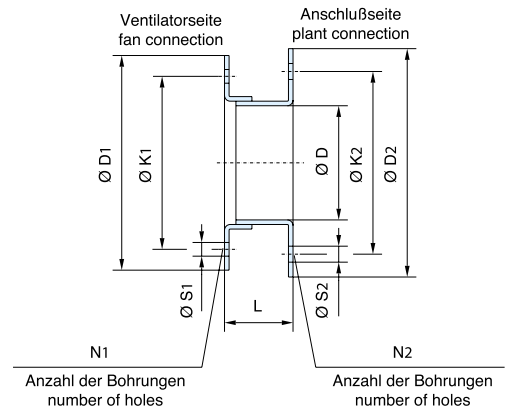
| Ventilator Fan | A   | B   | L   | H   | D   | E   | S   | N |
|----------------|-----|-----|-----|-----|-----|-----|-----|---|
| 120            |     |     |     |     |     |     |     |   |
| 133            |     |     |     |     |     |     |     |   |
| 185            |     |     |     |     |     |     |     |   |
| 200            |     |     |     |     |     |     |     |   |
| 230            |     |     |     |     |     |     |     |   |
| 250            | 222 | 270 | 87  | 80  | 135 | 144 | 4,8 | 4 |
| 280            | 222 | 270 | 87  | 80  | 135 | 144 | 4,8 | 4 |
| 300            | 292 | 316 | 99  | 87  | 148 | 157 | 5,8 | 4 |
| 330            | 292 | 316 | 99  | 87  | 148 | 157 | 5,8 | 4 |
| 350            | 292 | 316 | 147 | 97  | 163 | 175 | 5,8 | 4 |
| 370-1          | 364 | 376 | 197 | 120 | 203 | 212 | 5,8 | 8 |
| 370-2          | 424 | 448 | 305 | 132 | 220 | 232 | 5,8 | 8 |
| 400            | 424 | 448 | 305 | 132 | 220 | 232 | 5,8 | 8 |





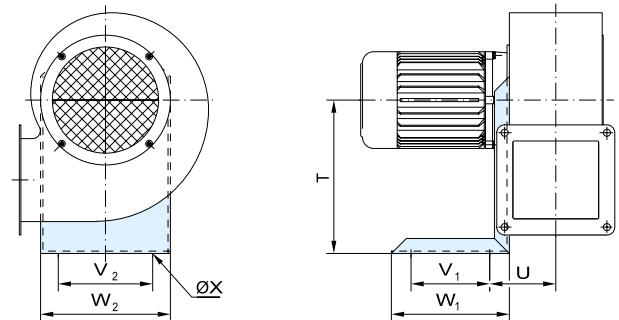
**Ansaugzwischenflansch / connecting flange**

| Ventilator Fan | D <sub>1</sub> | K <sub>1</sub> | S <sub>1</sub> | N <sub>1</sub> | D <sub>2</sub> | K <sub>2</sub> | S <sub>2</sub> | N <sub>2</sub> | D   | L  |
|----------------|----------------|----------------|----------------|----------------|----------------|----------------|----------------|----------------|-----|----|
| <b>120</b>     |                |                |                |                |                |                |                |                |     |    |
| <b>133</b>     |                |                |                |                |                |                |                |                |     |    |
| <b>185</b>     | 123            | 116            | 3,6            | 4              | 135            | 124            | 5,5            | 4              | 100 | 30 |
| <b>200</b>     | 123            | 116            | 3,6            | 4              | 135            | 124            | 5,5            | 4              | 100 | 30 |
| <b>230</b>     | 123            | 116            | 3,6            | 4              | 135            | 124            | 5,5            | 4              | 100 | 30 |
| <b>250</b>     | 152            | 144            | 4,8            | 4              | 135            | 124            | 5,8            | 4              | 100 | 30 |
| <b>280</b>     | 152            | 144            | 4,8            | 4              | 135            | 124            | 5,8            | 4              | 100 | 30 |
| <b>300</b>     | 168            | 157            | 5,8            | 4              | 160            | 144            | 7              | 8              | 123 | 40 |
| <b>330</b>     | 168            | 157            | 5,8            | 4              | 160            | 144            | 7              | 8              | 123 | 40 |
| <b>350</b>     | 186            | 175            | 5,8            | 4              | 200            | 175            | 9              | 8              | 144 | 50 |
| <b>370/1</b>   | 222            | 212            | 5,8            | 8              | 235            | 212            | 9              | 8              | 180 | 50 |
| <b>370/2</b>   | 244            | 232            | 5,8            | 8              | 230            | 218            | 6              | 8              | 190 | 50 |
| <b>400</b>     | 244            | 232            | 5,8            | 8              | 244            | 232            | 5,8            | 8              | 190 | 50 |



**Ventilatorfuß / foot-mounting**

| Ventilator Fan | W <sub>1</sub> | W <sub>2</sub> | V <sub>1</sub> | V <sub>2</sub> | U  | X  | T   |
|----------------|----------------|----------------|----------------|----------------|----|----|-----|
| <b>120</b>     | 130            | 100            | 80             | 60             | 42 | 7  | 135 |
| <b>133</b>     | 130            | 100            | 80             | 60             | 42 | 7  | 135 |
| <b>185</b>     | 130            | 100            | 80             | 60             | 48 | 7  | 170 |
| <b>200</b>     | 130            | 100            | 80             | 60             | 51 | 7  | 180 |
| <b>230</b>     | 140            | 120            | 110            | 75             | 51 | 9  | 209 |
| <b>250</b>     | 140            | 120            | 110            | 75             | 54 | 9  | 215 |
| <b>280</b>     | 165            | 150            | 120            | 100            | 54 | 9  | 255 |
| <b>300</b>     | 165            | 150            | 120            | 100            | 60 | 9  | 255 |
| <b>330</b>     | 200            | 170            | 150            | 120            | 61 | 9  | 295 |
| <b>350</b>     | 200            | 170            | 150            | 120            | 61 | 9  | 295 |
| <b>370/1</b>   | 230            | 200            | 170            | 140            | 69 | 12 | 335 |
| <b>370/2</b>   | 230            | 200            | 170            | 140            | 82 | 12 | 335 |
| <b>400</b>     |                |                |                |                |    |    |     |

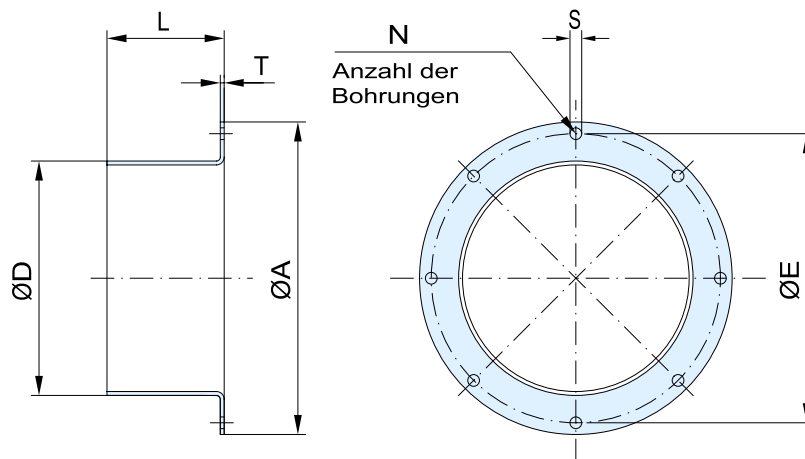




**Ansaugstutzen / intake connection**

| Ventilator Fan  | D   | L   | A   | E   | S   | N | T   |
|-----------------|-----|-----|-----|-----|-----|---|-----|
| <b>345-1-12</b> | 140 | 40  | 186 | 175 | 5,8 | 4 | 1   |
|                 | 160 | 40  | 186 | 175 | 5,8 | 4 | 1   |
| <b>345-1-18</b> | 140 | 40  | 186 | 175 | 5,8 | 4 | 1   |
|                 | 160 | 40  | 186 | 175 | 5,8 | 4 | 1   |
| <b>355-1-25</b> | 140 | 40  | 186 | 175 | 5,8 | 4 | 1   |
|                 | 160 | 40  | 186 | 175 | 5,8 | 4 | 1   |
| <b>315-5-60</b> | 160 | 40  | 222 | 212 | 5,8 | 8 | 1   |
|                 | 180 | 40  | 222 | 212 | 5,8 | 8 | 1   |
| <b>375-1-35</b> | 140 | 40  | 186 | 175 | 5,8 | 4 | 1   |
|                 | 160 | 40  | 186 | 175 | 5,8 | 4 | 1   |
| <b>410-1-30</b> | 160 | 40  | 222 | 212 | 5,8 | 8 | 1   |
|                 | 180 | 40  | 222 | 212 | 5,8 | 8 | 1   |
| <b>400-7-60</b> | 160 | 40  | 222 | 212 | 5,8 | 8 | 1   |
|                 | 180 | 40  | 222 | 212 | 5,8 | 8 | 1   |
| <b>400-6-67</b> | 180 | 40  | 264 | 250 | 7   | 8 | 1,5 |
|                 | 200 | 60  | 264 | 250 | 7   | 8 | 1,5 |
| <b>450-1-25</b> | 140 | 40  | 208 | 196 | 5,8 | 8 | 1   |
|                 | 160 | 40  | 208 | 196 | 5,8 | 8 | 1   |
| <b>450-7-53</b> | 224 | 60  | 290 | 276 | 7   | 8 | 1,5 |
|                 | 250 | 120 | 290 | 276 | 7   | 8 | 1,5 |

| Ventilator Fan  | D   | L   | A   | E   | S | N  | T   |
|-----------------|-----|-----|-----|-----|---|----|-----|
| <b>500-7-45</b> | 224 | 60  | 264 | 250 | 7 | 8  | 1,5 |
|                 | 250 | 120 | 264 | 250 | 7 | 8  | 1,5 |
| <b>500-7-60</b> | 224 | 60  | 264 | 250 | 7 | 8  | 1,5 |
|                 | 250 | 120 | 264 | 250 | 7 | 8  | 1,5 |
| <b>500-7-75</b> | 224 | 60  | 264 | 250 | 7 | 8  | 1,5 |
|                 | 250 | 120 | 264 | 250 | 7 | 8  | 1,5 |
| <b>500-6-85</b> | 280 | 60  | 420 | 390 | 7 | 12 | 1,5 |
|                 | 300 | 60  | 420 | 390 | 7 | 12 | 1,5 |
| <b>560-7-85</b> | 250 | 60  | 382 | 350 | 7 | 8  | 1,5 |
|                 | 280 | 60  | 382 | 350 | 7 | 8  | 1,5 |
| <b>630-1-50</b> | 250 | 60  | 382 | 350 | 7 | 8  | 1,5 |
|                 | 280 | 60  | 382 | 350 | 7 | 8  | 1,5 |
| <b>630-8-36</b> | 250 | 60  | 382 | 350 | 7 | 8  | 1,5 |
|                 | 280 | 60  | 382 | 350 | 7 | 8  | 1,5 |
| <b>690-1-50</b> | 250 | 60  | 382 | 350 | 7 | 8  | 1,5 |
|                 | 280 | 60  | 382 | 350 | 7 | 8  | 1,5 |
| <b>710-1-75</b> | 250 | 60  | 382 | 350 | 7 | 8  | 1,5 |
|                 | 280 | 60  | 382 | 350 | 7 | 8  | 1,5 |

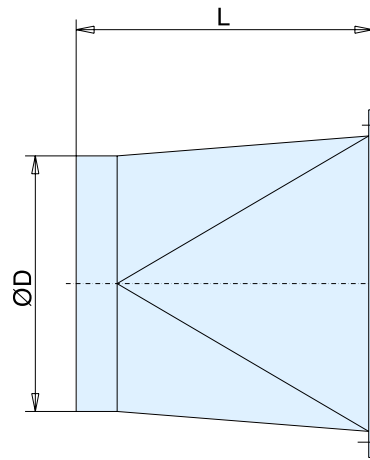
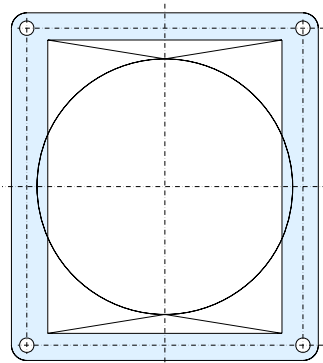




**Ausblasübergangsstück / exhaust-adapter**

| Ventilator Fan  | D   | L   |
|-----------------|-----|-----|
| <b>345-1-12</b> | 140 | 200 |
|                 | 160 | 200 |
| <b>345-1-18</b> | 140 | 200 |
|                 | 160 | 200 |
| <b>355-1-25</b> | 140 | 180 |
|                 | 160 | 180 |
| <b>315-5-60</b> | 160 | 150 |
|                 | 180 | 150 |
| <b>375-1-35</b> | 140 | 150 |
|                 | 160 | 150 |
| <b>410-1-30</b> | 160 | 200 |
|                 | 180 | 200 |
| <b>400-7-60</b> | 160 | 150 |
|                 | 180 | 150 |
| <b>400-6-67</b> | 180 | 150 |
|                 | 200 | 150 |
| <b>450-1-25</b> | 200 | 250 |
|                 | 224 | 250 |

| Ventilator Fan  | D   | L   |
|-----------------|-----|-----|
| <b>450-7-53</b> | 200 | 250 |
|                 | 224 | 250 |
| <b>500-7-45</b> | 224 | 250 |
|                 | 250 | 250 |
| <b>500-7-60</b> | 224 | 250 |
|                 | 250 | 250 |
| <b>500-7-75</b> | 224 | 250 |
|                 | 250 | 250 |
| <b>500-6-85</b> | 280 | 200 |
|                 | 300 | 200 |
| <b>560-7-85</b> | 250 | 250 |
|                 | 280 | 250 |
| <b>630-1-50</b> | 300 | 200 |
|                 | 300 | 200 |
| <b>630-8-36</b> | 300 | 200 |
|                 |     |     |
| <b>690-1-50</b> |     |     |
|                 |     |     |
| <b>710-1-75</b> |     |     |
|                 |     |     |

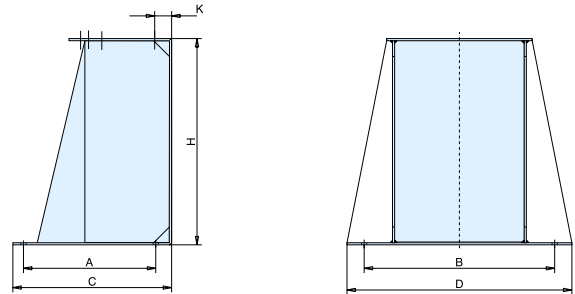






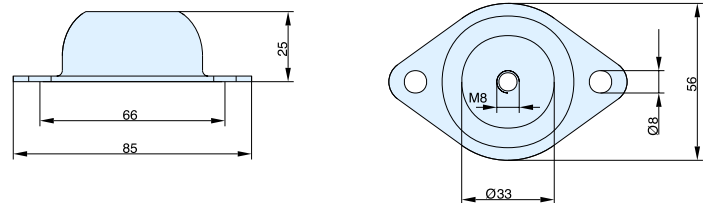
**Motorkonsole / motor-bracket**

| Ventilator Fan | Art. Nr. Part no. | A   | B   | C   | D   | H   | K  |
|----------------|-------------------|-----|-----|-----|-----|-----|----|
| 400-7-60       | 61493             | 200 | 350 | 250 | 380 | 255 | 32 |
| 400-6-67       | 61493             | 200 | 350 | 250 | 380 | 255 | 32 |
| 450-1-25       | 61017             | 250 | 360 | 300 | 395 | 390 | 32 |
| 450-7-53       | 61017             | 250 | 360 | 300 | 395 | 390 | 32 |
| 500-7-45       | 61017             | 250 | 360 | 300 | 395 | 390 | 32 |
| 500-7-60       | 61017             | 250 | 360 | 300 | 395 | 390 | 32 |
| 500-7-75       | 61017             | 250 | 360 | 300 | 395 | 390 | 32 |
| 500-6-85       | 61017             | 250 | 360 | 300 | 395 | 390 | 32 |
| 560-7-85       | 63099             | 260 | 460 | 310 | 495 | 530 | 32 |
| 630-1-50       | 63135             | 400 | 460 | 450 | 495 | 500 | 32 |
| 630-8-36       | 63135             | 400 | 460 | 450 | 495 | 500 | 32 |
| 690-1-50       | 63135             | 400 | 460 | 450 | 495 | 500 | 32 |
| 710-1-75       | 63135             | 400 | 460 | 450 | 495 | 500 | 32 |



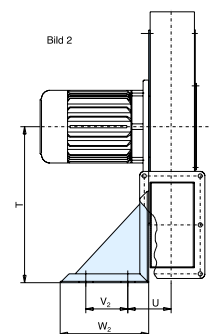
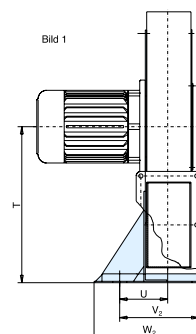
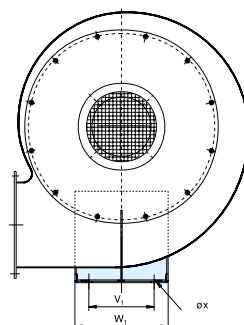
**Schwingungsdämpfer / vibration-damper**

| Art. Nr. Part no. |  |
|-------------------|--|
| 63124             | Härte A, max. Belastung 20 kg<br>Hardness A loading max. 20 kg |
| 63188             | Härte A, max. Belastung 50 kg<br>Hardness A loading max. 50 kg |



**Ventilatorfuss / foot-mounting**

| Ventilator Fan | W <sub>1</sub> | W <sub>2</sub> | V <sub>1</sub> | V <sub>2</sub> | U     | X  | T   | Bild |
|----------------|----------------|----------------|----------------|----------------|-------|----|-----|------|
| 345-1-12       | 200            | 240            | 140            | 170            | 91,5  | 13 | 320 | 1    |
| 345-1-18       | 200            | 240            | 140            | 170            | 91,5  | 13 | 320 | 1    |
| 355-1-25       | 200            | 240            | 140            | 170            | 100,5 | 13 | 320 | 1    |
| 315-5-60       | 230            | 200            | 170            | 140            | 91    | 12 | 350 | 2    |
| 375-1-35       | 200            | 240            | 140            | 170            | 105,5 | 13 | 335 | 1    |
| 410-1-30       | 230            | 260            | 180            | 150            | 119,5 | 13 | 365 | 2    |
| 450-1-25       | 230            | 300            | 180            | 150            | 101,5 | 13 | 420 | 2    |
| 450-7-53       | 230            | 300            | 180            | 150            | 120,5 | 13 | 420 | 2    |

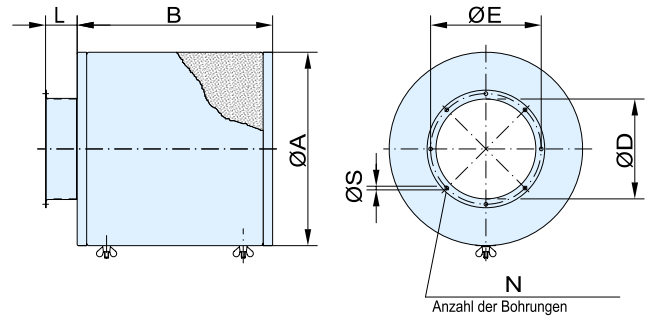




**Ansauggrundfilter / intakefilter-round**

Die Filterklasse ist standardmäßig in EU4 nach DIN EU 779 ausgeführt.  
 The filter quality of EU4 (DIN EU 779) is standard.

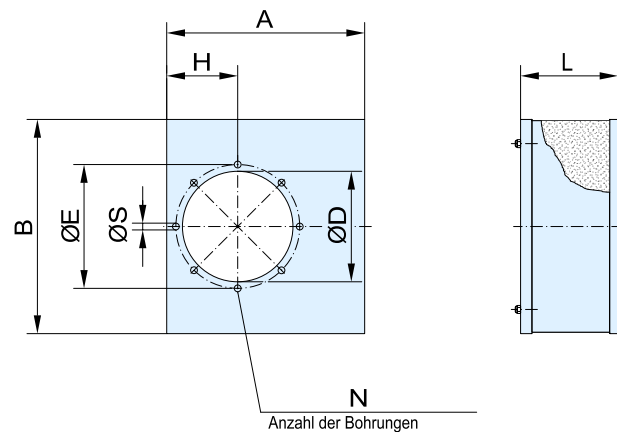
| Ventilator Fan  | A   | B   | L  | D   | E   | S   | N |
|-----------------|-----|-----|----|-----|-----|-----|---|
| <b>345-1-12</b> | 306 | 237 | 25 | 155 | 175 | 5,8 | 4 |
| <b>345-1-18</b> | 306 | 237 | 25 | 155 | 175 | 5,8 | 4 |
| <b>355-1-25</b> | 306 | 237 | 25 | 155 | 175 | 5,8 | 4 |
| <b>315-5-60</b> | 410 | 573 | 25 | 175 | 212 | 5,8 | 8 |
| <b>375-1-35</b> | 306 | 237 | 25 | 155 | 175 | 5,8 | 4 |
| <b>410-1-30</b> | 410 | 573 | 25 | 175 | 212 | 5,8 | 8 |
| <b>400-7-60</b> | 410 | 573 | 25 | 175 | 212 | 5,8 | 8 |
| <b>400-6-67</b> |     |     |    |     |     |     |   |
| <b>450-1-25</b> |     |     |    |     |     |     |   |
| <b>450-7-53</b> |     |     |    |     |     |     |   |
| <b>500-7-45</b> | 410 | 573 | 25 | 178 | 250 | 5,8 | 8 |
| <b>500-7-60</b> | 410 | 573 | 25 | 178 | 250 | 5,8 | 8 |
| <b>500-7-75</b> | 410 | 573 | 25 | 178 | 250 | 5,8 | 8 |
| <b>500-6-85</b> |     |     |    |     |     |     |   |
| <b>560-7-85</b> |     |     |    |     |     |     |   |
| <b>630-1-50</b> |     |     |    |     |     |     |   |
| <b>630-8-36</b> |     |     |    |     |     |     |   |
| <b>690-1-50</b> |     |     |    |     |     |     |   |
| <b>710-1-75</b> |     |     |    |     |     |     |   |



**Ansaugkastenfilter / intake filterbox**

Die Filterklasse ist standardmäßig in EU4 nach DIN EU 779 ausgeführt.  
 The filter quality of EU4 (DIN EU 779) is standard.

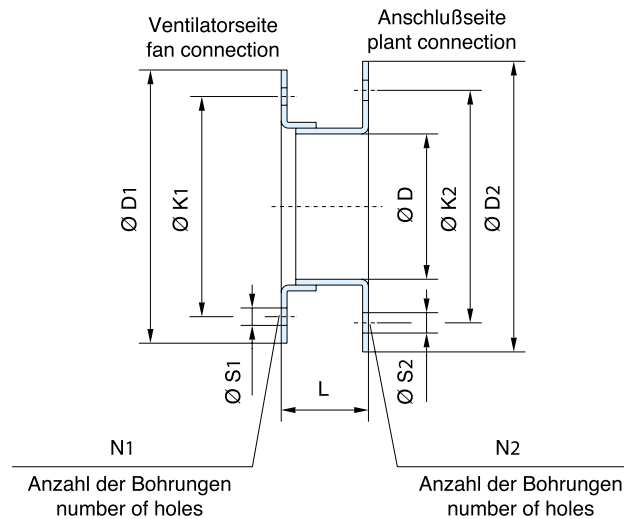
| Ventilator Fan  | A   | B   | L   | H   | D   | E   | S   | N |
|-----------------|-----|-----|-----|-----|-----|-----|-----|---|
| <b>345-1-12</b> | 292 | 316 | 147 | 97  | 163 | 175 | 5,8 | 4 |
| <b>345-1-18</b> | 292 | 316 | 147 | 97  | 163 | 175 | 5,8 | 4 |
| <b>355-1-25</b> | 292 | 316 | 147 | 97  | 163 | 175 | 5,8 | 4 |
| <b>315-5-60</b> | 424 | 448 | 305 | 120 | 203 | 212 | 5,8 | 8 |
| <b>375-1-35</b> | 292 | 316 | 147 | 97  | 163 | 175 | 5,8 | 4 |
| <b>410-1-30</b> | 424 | 448 | 305 | 120 | 203 | 212 | 5,8 | 8 |
| <b>400-7-60</b> | 424 | 448 | 305 | 120 | 203 | 212 | 5,8 | 8 |
| <b>400-6-67</b> |     |     |     |     |     |     |     |   |
| <b>450-1-25</b> |     |     |     |     |     |     |     |   |
| <b>450-7-53</b> | 533 | 533 | 310 | 169 | 255 | 276 | 7   | 8 |
| <b>500-7-45</b> | 484 | 484 | 310 | 140 | 236 | 250 | 7   | 8 |
| <b>500-7-60</b> |     |     |     |     |     |     |     |   |
| <b>500-7-75</b> |     |     |     |     |     |     |     |   |
| <b>500-6-85</b> |     |     |     |     |     |     |     |   |
| <b>560-7-85</b> |     |     |     |     |     |     |     |   |
| <b>630-1-50</b> |     |     |     |     |     |     |     |   |
| <b>630-8-36</b> |     |     |     |     |     |     |     |   |
| <b>690-1-50</b> |     |     |     |     |     |     |     |   |
| <b>710-1-75</b> |     |     |     |     |     |     |     |   |





**Ansaugzwischenflansch / connecting flange**

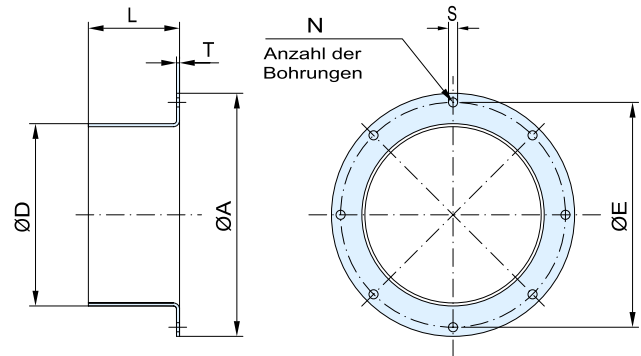
| Ventilator<br>Fan | D <sub>1</sub> | K <sub>1</sub> | S <sub>1</sub> | N <sub>1</sub> | D <sub>2</sub> | K <sub>2</sub> | S <sub>2</sub> | N <sub>2</sub> | D   | L  |
|-------------------|----------------|----------------|----------------|----------------|----------------|----------------|----------------|----------------|-----|----|
| <b>345-1-12</b>   | 186            | 175            | 8,5            | 4              | 200            | 175            | 9              | 8              | 144 | 50 |
| <b>345-1-18</b>   | 186            | 175            | 8,5            | 4              | 200            | 175            | 9              | 8              | 144 | 50 |
| <b>355-1-25</b>   | 186            | 175            | 8,5            | 4              | 200            | 175            | 9              | 8              | 144 | 50 |
| <b>315-5-60</b>   | 222            | 212            | 5,8            | 8              | 235            | 212            | 9              | 8              | 180 | 50 |
| <b>375-1-35</b>   | 186            | 175            | 8,5            | 4              | 200            | 175            | 9              | 8              | 144 | 50 |
| <b>410-1-30</b>   | 222            | 212            | 5,8            | 8              | 235            | 212            | 9              | 8              | 180 | 50 |
| <b>400-7-60</b>   | 222            | 212            | 5,8            | 8              | 235            | 212            | 9              | 8              | 180 | 50 |
| <b>400-6-67</b>   | 264            | 250            | 7              | 8              | 264            | 250            | 7              | 8              | 216 | 50 |
| <b>450-1-25</b>   |                |                |                |                |                |                |                |                |     |    |
| <b>450-7-53</b>   | 290            | 276            | 7              | 8              | 255            | 235            | 9              | 8              | 190 | 50 |
| <b>500-7-45</b>   | 264            | 250            | 7              | 8              | 264            | 250            | 7              | 8              | 216 | 50 |
| <b>500-7-60</b>   | 264            | 250            | 7              | 8              | 264            | 250            | 7              | 8              | 216 | 50 |
| <b>500-7-75</b>   | 264            | 250            | 7              | 8              | 264            | 250            | 7              | 8              | 216 | 50 |
| <b>500-6-85</b>   |                |                |                |                |                |                |                |                |     |    |
| <b>560-7-85</b>   |                |                |                |                |                |                |                |                |     |    |
| <b>630-1-50</b>   | 382            | 350            | 7              | 16             | 370            | 350            | 9              | 12             | 264 | 50 |
| <b>630-8-36</b>   | 382            | 350            | 7              | 16             | 370            | 350            | 9              | 12             | 264 | 50 |
| <b>690-1-50</b>   | 382            | 350            | 7              | 16             | 370            | 350            | 9              | 12             | 264 | 50 |
| <b>710-1-75</b>   |                |                |                |                |                |                |                |                |     |    |





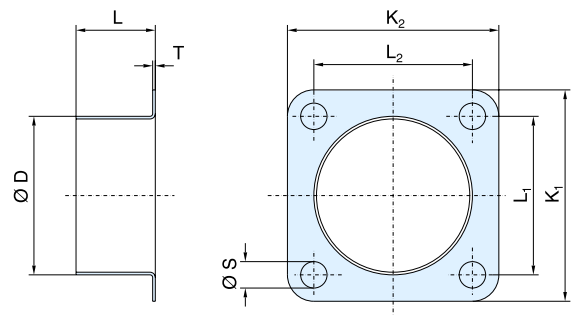
**Ansaugstutzen / intake connection**

| Ventilator Fan  | D   | L  | A   | E   | S   | N | T |
|-----------------|-----|----|-----|-----|-----|---|---|
| <b>255-1-22</b> | 80  | 40 | 123 | 116 | 3,6 | 3 | 1 |
|                 | 100 | 40 | 123 | 116 | 3,6 | 3 | 1 |
| <b>275-1-35</b> | 100 | 40 | 152 | 144 | 4,8 | 4 | 1 |
|                 | 125 | 40 | 152 | 144 | 4,8 | 4 | 1 |
| <b>365-1-21</b> | 100 | 40 | 152 | 144 | 4,8 | 4 | 1 |
|                 | 125 | 40 | 152 | 144 | 4,8 | 4 | 1 |



**Ausblasstutzen / exhaust connection**

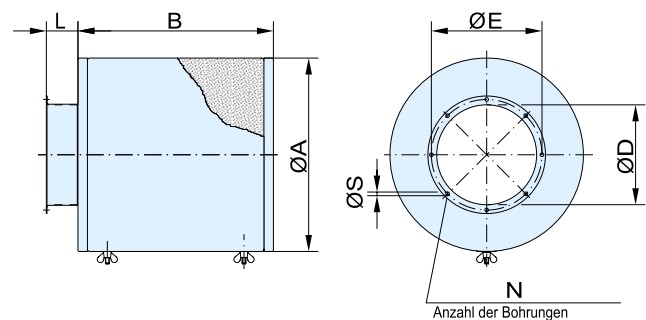
| Ventilator Fan  | D   | L  | K <sub>1</sub> | K <sub>2</sub> | L <sub>1</sub> | L <sub>2</sub> | S | T |
|-----------------|-----|----|----------------|----------------|----------------|----------------|---|---|
| <b>255-1-22</b> | 90  | 40 | 120            | 120            | 90             | 90             | 9 | 1 |
| <b>275-1-35</b> | 112 | 40 | 125            | 125            | 95             | 95             | 9 | 1 |
| <b>365-1-21</b> | 112 | 40 | 125            | 125            | 95             | 95             | 9 | 1 |



**Ansauggrundfilter / intakefilter-round**

Die Filterklasse ist standardmäßig in EU4 nach DIN EU 779 ausgeführt.  
The filter quality of EU4 (DIN EU 779) is standard.

| Ventilator Fan  | A   | B   | L  | D   | E   | S   | N |
|-----------------|-----|-----|----|-----|-----|-----|---|
| <b>255-1-22</b> | 150 | 142 | 25 | 100 | 116 | 3,6 | 3 |
| <b>275-1-35</b> | 205 | 237 | 25 | 120 | 144 | 4,8 | 4 |
| <b>365-1-21</b> | 205 | 237 | 25 | 120 | 144 | 4,8 | 4 |



**Ansaugzwischenflansch / connecting flange**

| Ventilator Fan  | D <sub>1</sub> | K <sub>1</sub> | S <sub>1</sub> | N <sub>1</sub> | D <sub>2</sub> | K <sub>2</sub> | S <sub>2</sub> | N <sub>2</sub> | D   | L  |
|-----------------|----------------|----------------|----------------|----------------|----------------|----------------|----------------|----------------|-----|----|
| <b>255-1-22</b> |                |                |                |                |                |                |                |                |     |    |
| <b>275-1-35</b> | 152            | 144            | 4,8            | 4              | 135            | 124            | 5,8            | 4              | 100 | 30 |
| <b>365-1-21</b> | 152            | 144            | 4,8            | 4              | 135            | 124            | 5,8            | 4              | 100 | 30 |

